

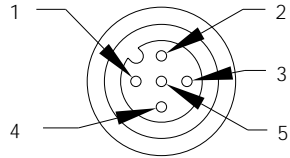
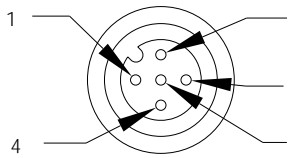
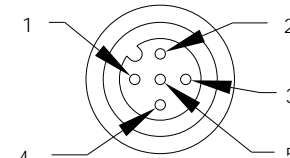
3P to 5P



Single-Ended Cordsets

Single Keyway M12

#22 AWG yellow PVC cables with or without braid – DC color code
 Oil-resistant PVC jacket for all types of heavy-duty industrial environments
 Highly reliable low-resistance contact design with gold/palladium nickel plating

	3P	4P	5P
FEMALE FACE VIEW			
COLOR CODE	1- brown 2- not used 3- blue 4- black 5- not used	1- brown 2- white 3- blue 4- black 5- not used	1- brown 2- white 3- blue 4- black 5- gray
VOLTAGE	250V AC/DC	250V AC/DC	250V AC/DC
CURRENT	4A	4A	4A
CONDUCTOR	#22-3	#22-4	#22-5

FEMALE	FIG	SINGLE-ENDED CORDSETS WITH #22 AWG PVC CABLE WITHOUT BRAID 2 METERS LONG		
STRAIGHT	1	803000A09M020	804000A09M020	805000A09M020
90°	2	803001A09M020	804001A09M020	805001A09M020
MATING RECEPTACLE*	5	8R3006A18A120	8R4006A18A120	8R5006A18A120
MALE	FIG	SINGLE-ENDED CORDSETS WITH #22 AWG PVC CABLE WITHOUT BRAID 2 METERS LONG		
STRAIGHT	3	803006A09M020	804006A09M020	805006A09M020
90°	4	803007A09M020	804007A09M020	805007A09M020
MATING RECEPTACLE*	6	8R3A00A18A120	8R4A00A18A120	8R5A00A18A120

CATALOG OPTIONS

*See Page 116 for additional Mating Receptacles

Use the following chart to modify your part's specifications

803000A09M0201

WIRE TYPE

#22 AWG YELLOW PVC
 W/ METALLIC BRAID D01

CABLE LENGTH

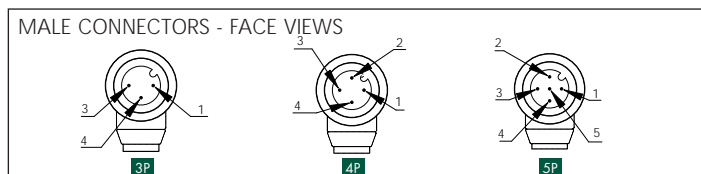
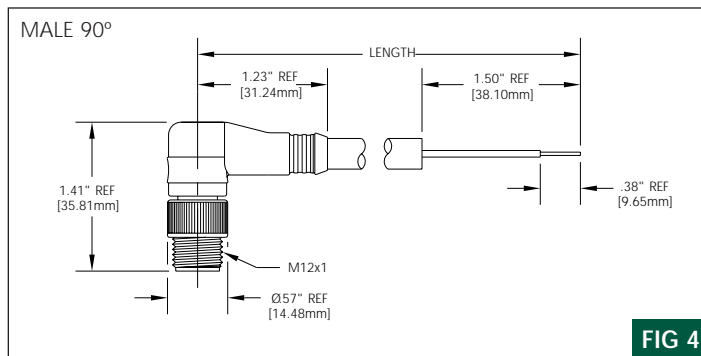
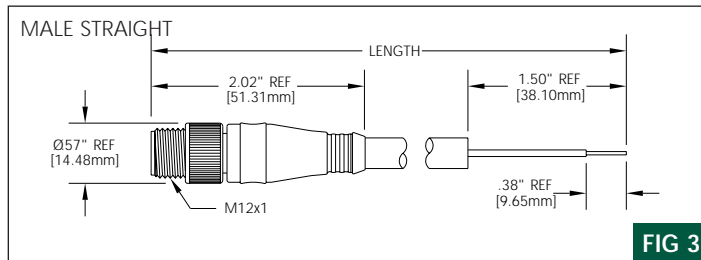
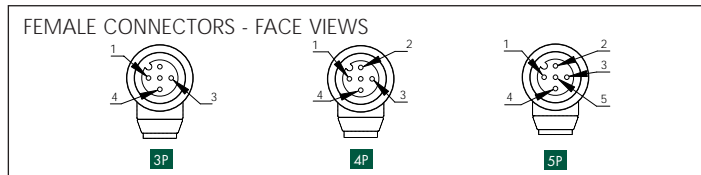
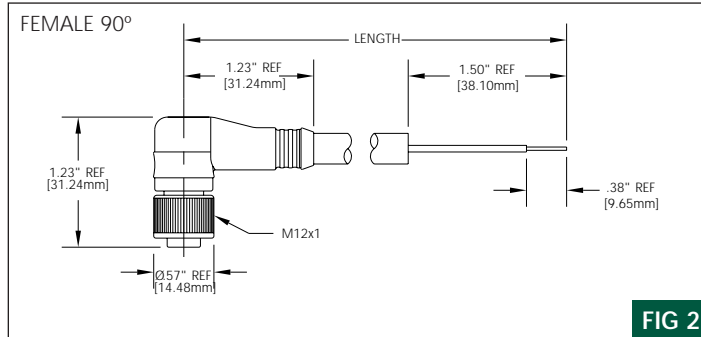
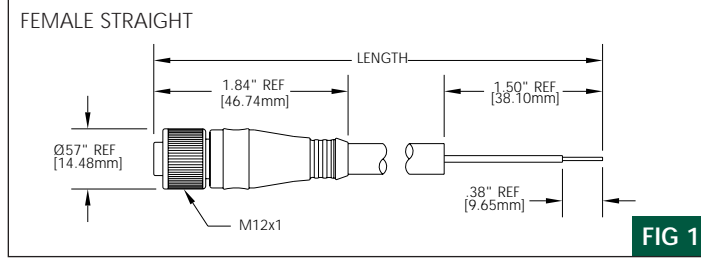
4 METER 040
 5 METER 050

COUPLING NUT

STAINLESS STEELADD 1
 NON-METALLICADD 2
 (NON-METALLIC AVAILABLE ON
 FEMALE CONNECTORS ONLY)

Specifications

CONNECTOR DIMENSIONS



MECHANICAL
 CONNECTOR FACE: NYLON 6/6
 MOLDED BODY: PVC
 O-RING: NITRILE RUBBER
 COUPLING NUT: ZINC DIECAST W/ BLACK EPOXY COAT, OPTIONAL STAINLESS STEEL TYPE 303 OR NON-METALLIC BLACK DELRIN



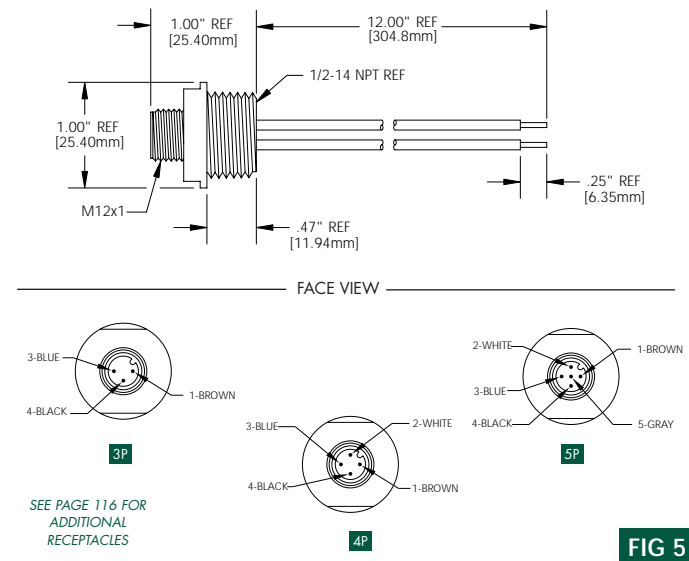
CABLE: YELLOW #22 AWG PVC JACKET AND PVC CONDUCTOR INSULATION OVER 26 X #36 COPPER STRANDING, 300V, UL STYLE 2661, CSA AWM I/II A/B, OPTIONAL 80% METALLIC BRAID
WITHOUT BRAID WITH BRAID
OUTSIDE DIAMETER:
 3P - .18" (4.6mm) 3P - .23" (5.8mm)
 4P - .20" (5.1mm) 4P - .25" (6.4mm)
 5P - .23" (5.8mm) 5P - .26" (6.6mm)

ELECTRICAL
 VOLTAGE RATING: 250 V AC/DC
 AMPERAGE:
 3P - 4A
 4P - 4A
 5P - 4A

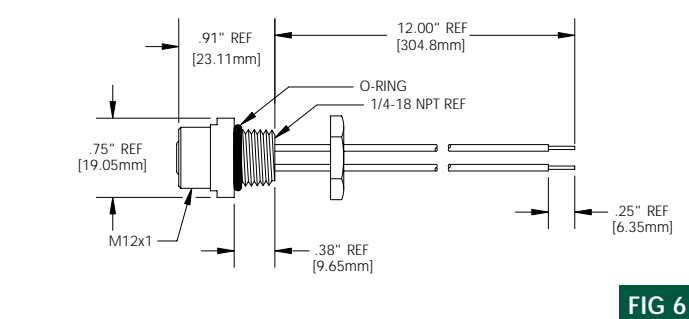
ENVIRONMENTAL
 PROTECTION: IP 68, NEMA 6P
 AMBIENT OPERATING TEMP: -4° TO 221° F (-20° TO 105° C)
CERTIFICATIONS
 UL: UL LISTED, FILE NO. E152210
 CSA: CSA CERTIFIED, FILE NO. LR6837

RECEPTACLE DIMENSIONS

MALE RECEPTACLE W/ EXTERNAL THREADS AND 1/2" -14NPT THREADS



FEMALE RECEPTACLE W/ INTERNAL THREADS AND 1/4" - 18NPT THREADS





Double-Ended Cordsets

Single Keyway M12

#22 AWG yellow PVC cables with or without braid – DC color code
 Oil-resistant PVC jacket for all types of heavy-duty industrial environments
 Highly reliable low-resistance contact design with gold/palladium nickel plating

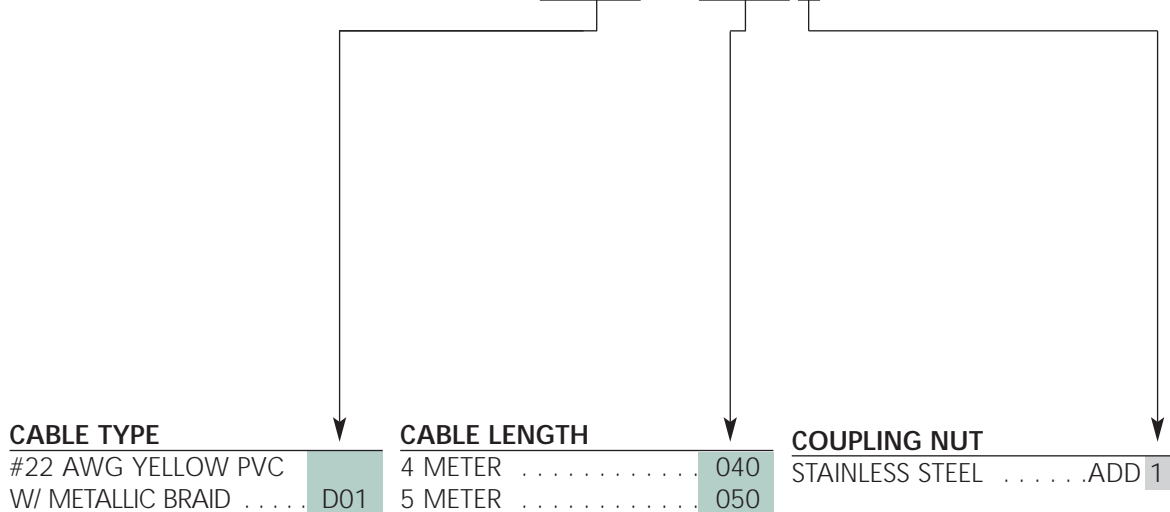
	3P	4P	5P
FEMALE FACE VIEW			
COLOR CODE	1- brown 2- not used 3- blue 4- black 5- not used	1- brown 2- white 3- blue 4- black 5- not used	1- brown 2- white 3- blue 4- black 5- gray
VOLTAGE	250V AC/DC	250V AC/DC	250V AC/DC
CURRENT	4A	4A	4A
CONDUCTOR	#22-3	#22-4	#22-5

FEMALE/MALE	FIG	DOUBLE-ENDED CORDSETS WITH #22 AWG PVC CABLE WITHOUT BRAID 2 METERS LONG		
STRAIGHT/STRAIGHT	1	883030A09M020	884030A09M020	885030A09M020
90°/STRAIGHT	2	883031A09M020	884031A09M020	885031A09M020
STRAIGHT/90°	3	883032A09M020	884032A09M020	885032A09M020
90°/90°	4	883033A09M020	884033A09M020	885033A09M020

CATALOG OPTIONS

Use the following chart to modify your part's specifications

883030A09M0201

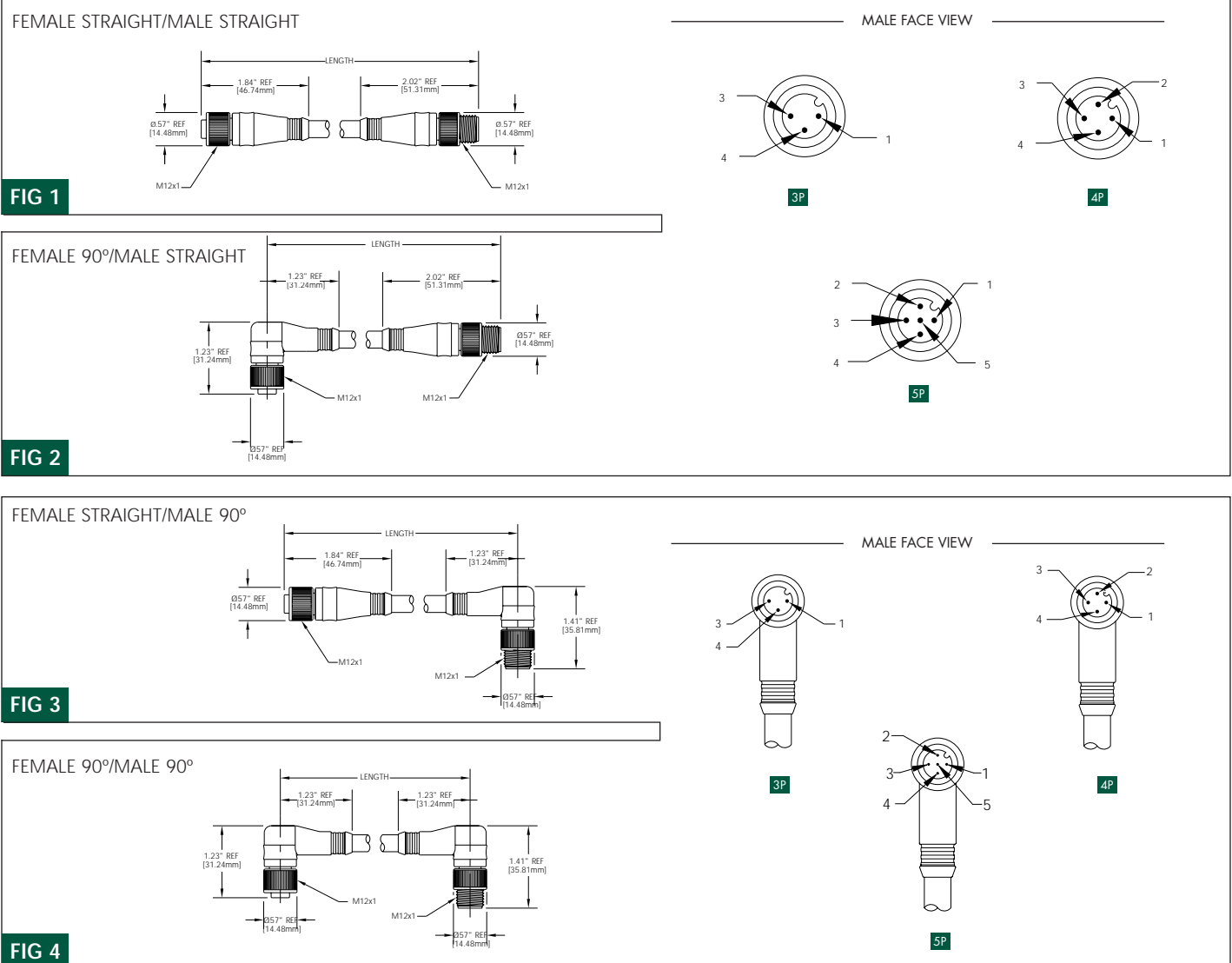


Specifications



MECHANICAL	
CONNECTOR FACE:	NYLON 6/6
MOLDED BODY:	PVC
O-RING:	NITRILE RUBBER
COUPLING NUT:	ZINC DIECAST W/ BLACK EPOXY COAT, OPTIONAL STAINLESS STEEL TYPE 303
CABLE:	YELLOW #22 AWG PVC JACKET AND PVC CONDUCTOR INSULATION OVER 26 X #36 COPPER STRANDING, 300V, UL STYLE 2661, CSA I/II A/B, OPTIONAL 80% METALLIC BRAID
OUTSIDE DIAMETER:	<u>WITHOUT BRAID</u> <u>WITH BRAID</u> 3P - .18" (4.6mm) 3P - .23" (5.8mm) 4P - .20" (5.1mm) 4P - .25" (6.4mm) 5P - .23" (5.8mm) 5P - .26" (6.6mm)
ELECTRICAL	
VOLTAGE RATING:	250 V AC/DC
AMPERAGE:	3P - 4A 4P - 4A 5P - 4A
ENVIRONMENTAL	
PROTECTION:	IP 68, NEMA 6P
AMBIENT OPERATING TEMP:	-4° TO 221° F (-20° TO 105° C)
CERTIFICATIONS	
UL:	UL LISTED, FILE NO. E152210
CSA:	CSA CERTIFIED, FILE NO. LR6837

CONNECTOR DIMENSIONS



3P & 4P



Single-Ended Cordsets

Single Keyway M12

#18 AWG SJOOW cable – DC color code

Oil- and abrasion-resistant jacket

Highly reliable low-resistance contact design with gold/palladium nickel plating

	3P	4P
FEMALE FACE VIEW		
COLOR CODE	1- brown 2- not used 3- blue 4- black 5- not used	1- brown 2- white 3- blue 4- black 5- not used
VOLTAGE	250V AC/DC	250V AC/DC
CURRENT	4A	4A
CONDUCTOR	#18-3	#18-4

FEMALE	FIG	SINGLE-ENDED CORDSETS WITH #18 AWG SJOOW CABLE 2 METERS LONG	
STRAIGHT	1	803000C02M020	804000C02M020
90°	2	803001C02M020	804001C02M020
MATING RECEPTACLE*	5	8R3006A16A120	8R4006A16A120
MALE	FIG	SINGLE-ENDED CORDSETS WITH #18 AWG SJOOW CABLE 2 METERS LONG	
STRAIGHT	3	803006C02M020	804006C02M020
90°	4	803007C02M020	804007C02M020
MATING RECEPTACLE*	6	8R3A00A16A120	8R4A00A16A120

CATALOG OPTIONS

*See Page 116 for additional Mating Receptacles

Use the following chart to modify your part's specifications

803000C02M0201

CABLE LENGTH

4 METER	040
5 METER	050

COUPLING NUT

STAINLESS STEEL	ADD 1
NON-METALLIC	ADD 2

(NON-METALLIC AVAILABLE ON FEMALE CONNECTORS ONLY)

Specifications

CONNECTOR DIMENSIONS

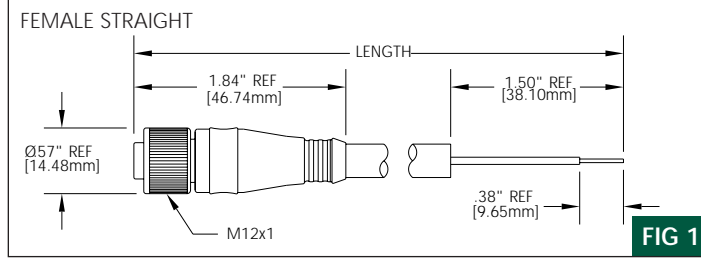


FIG 1

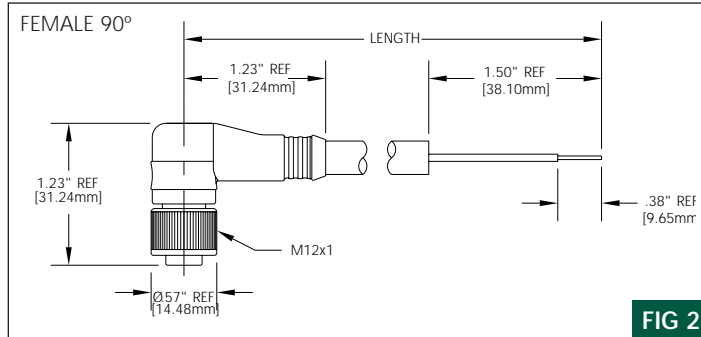


FIG 2

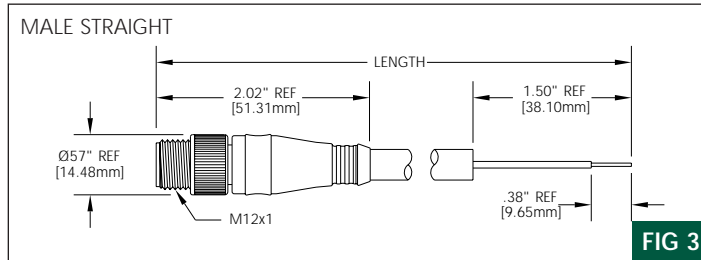
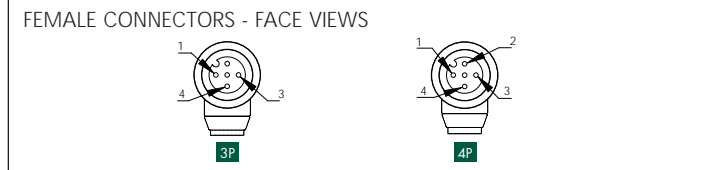


FIG 3

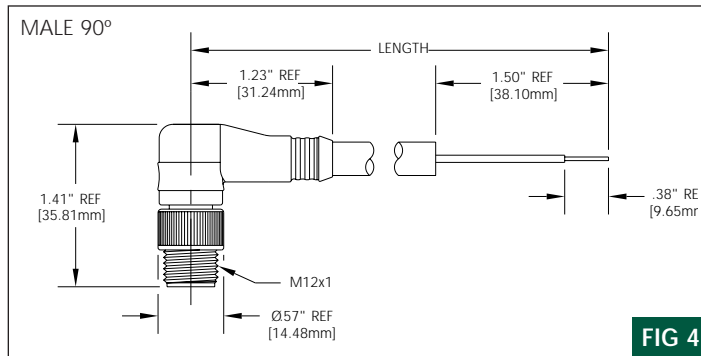
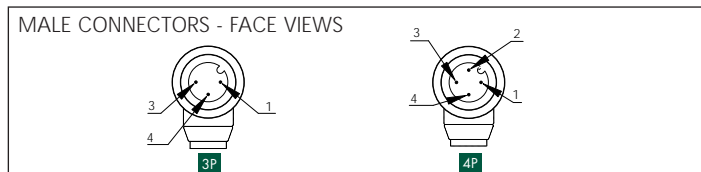


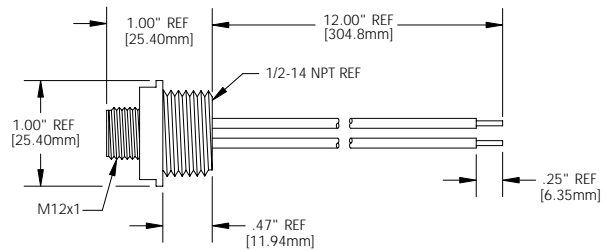
FIG 4



- MECHANICAL**
 CONNECTOR FACE: NYLON 6/6
 MOLDED BODY: PVC
 O-RING: NITRILE RUBBER
 COUPLING NUT: ZINC DIECAST W/ BLACK EPOXY COAT, OPTIONAL STAINLESS STEEL TYPE 303 OR NON-METALLIC BLACK DELRIN
- CABLE:**
 YELLOW #18 AWG THERMOSET RUBBER JACKET AND EPDM CONDUCTOR INSULATION OVER 41 X #34 COPPER STRANDING, 300V, UL STYLE SJOOW, CSA CERTIFIED SJOW
- OUTSIDE DIAMETER:**
 3P - .32" (8.3mm)
 4P - .33" (8.4mm)
- ELECTRICAL**
 VOLTAGE RATING: 250V AC/DC
 AMPERAGE: 3P - 4A
 4P - 4A
- ENVIRONMENTAL**
 PROTECTION: IP 68, NEMA 6P
 AMBIENT OPERATING TEMP: -4° TO 221° F (-20° TO 105° C)
- CERTIFICATIONS**
 UL: UL LISTED, FILE NO. E152210
 CSA: CSA CERTIFIED, FILE NO LR6837

RECEPTACLE DIMENSIONS

MALE RECEPTACLE W/ EXTERNAL THREADS AND 1/2" -14NPT THREADS



SEE PAGE 116 FOR ADDITIONAL RECEPTACLES

FACE VIEW



FIG 5

FEMALE RECEPTACLE W/ INTERNAL THREADS AND 1/4" -18NPT THREADS

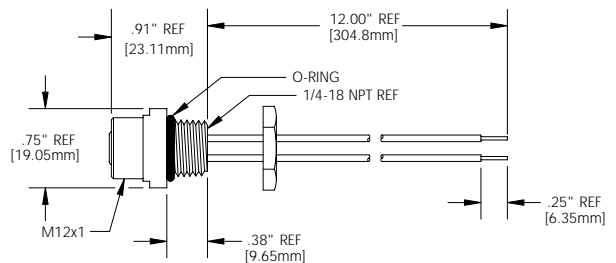


FIG 6



Double-Ended Cordsets

Single Keyway M12

#18 AWG SJOOW cable – DC color code

Oil- and abrasion-resistant jacket

Highly reliable low-resistance contact design with gold/palladium nickel plating

	3P	4P
FEMALE FACE VIEW		
COLOR CODE	1- brown 2- not used 3- blue 4- black 5- not used	1- brown 2- white 3- blue 4- black 5- not used
VOLTAGE	250V AC/DC	250V AC/DC
CURRENT	4A	4A
CONDUCTOR	#18-3	#18-4

FEMALE/MALE	FIG	DOUBLE - ENDED CORDSETS WITH #18 AWG SJOOW CABLE 2 METERS LONG	
STRAIGHT/ STRAIGHT	1	883030C02M020	884030C02M020
90°/ STRAIGHT	2	883031C02M020	884031C02M020
STRAIGHT/ 90°	3	883032C02M020	884032C02M020
90°/90°	4	883033C02M020	884033C02M020

CATALOG OPTIONS

Use the following chart to modify your part's specifications

883030C02M0201

CABLE LENGTH

4 METER	040
5 METER	050

COUPLING NUT

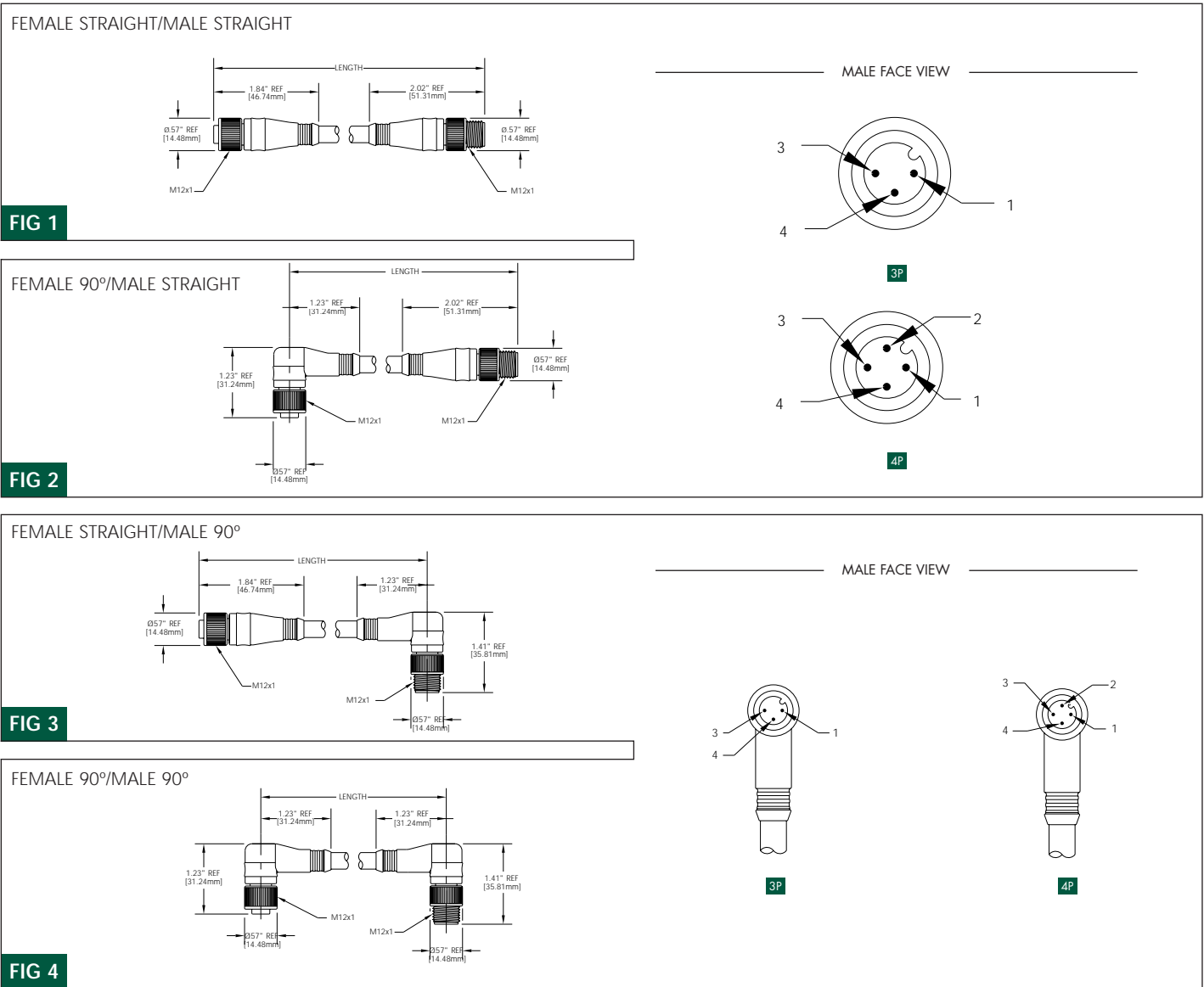
STAINLESS STEEL	ADD 1
-----------------	-------

Specifications



MECHANICAL	
CONNECTOR FACE:	NYLON 6/6
MOLDED BODY:	PVC
O-RING:	NITRILE RUBBER
COUPLING NUT:	ZINC DIECAST W/ BLACK EPOXY COAT, OPTIONAL STAINLESS STEEL TYPE 303
CABLE:	YELLOW #18 AWG THERMOSET RUBBER JACKET AND EPDM CONDUCTOR INSULATION OVER 41 X #34 COPPER STRANDING, 300V, UL LISTED SJOW, CSA CERTIFIED SJOW
OUTSIDE DIAMETER:	3P - .32" (8.3mm) 4P - .33" (8.4mm)
ELECTRICAL	
VOLTAGE RATING:	250V AC/DC
AMPERAGE:	3P - 4A 4P - 4A
ENVIRONMENTAL	
PROTECTION:	IP 68, NEMA 6P
AMBIENT OPERATING TEMP:	-4° TO 221° F (-20° TO 105° C)
CERTIFICATIONS	
UL:	UL LISTED, FILE NO. E152210
CSA:	CSA CERTIFIED, FILE NO LR6837

CONNECTOR DIMENSIONS





Single & Double-Ended Cordsets

Single Keyway M12

#18 AWG yellow PUR high-flex cable - DC color code
 Oil- and abrasion-resistant polyurethane jacket
 Highly reliable low-resistance contact design with gold/palladium nickel plating

	3P	4P
FEMALE FACE VIEW		
COLOR CODE	1- brown 2- not used 3- blue 4- black 5- not used	1- brown 2- white 3- blue 4- black 5- not used
VOLTAGE	250V AC/DC	250V AC/DC
CURRENT	4A	4A
CONDUCTOR	#18-3	#18-4

FEMALE	FIG	SINGLE-ENDED CORDSETS WITH #18 AWG HIGH FLEX PUR CABLE 2 METERS LONG	
STRAIGHT	1	803000B02M020	804000B02M020
90°	2	803001B02M020	804001B02M020
MATING RECEPTACLE*	5	8R3006A16A120	8R4006A16A120
MALE	FIG	SINGLE-ENDED CORDSETS WITH #18 AWG HIGH FLEX PUR CABLE 2 METERS LONG	
STRAIGHT	3	803006B02M020	804006B02M020
MATING RECEPTACLE*	7	8R3A00A16A120	8R4A00A16A120
FEMALE/ MALE	FIG	DOUBLE-ENDED CORDSETS WITH #18 AWG HIGH FLEX PUR CABLE 2 METERS LONG	
STRAIGHT/ STRAIGHT	4	883030B02M020	884030B02M020
90°/ STRAIGHT	6	883031B02M020	884031B02M020

CATALOG OPTIONS

*See Page 116 for additional Mating Receptacles

Use the following chart to modify your part's specifications

803000B02M0201

CABLE LENGTH

4 METER	040
5 METER	050

COUPLING NUT

STAINLESS STEEL	...ADD 1
-----------------	----------

Specifications

CONNECTOR DIMENSIONS

FEMALE STRAIGHT

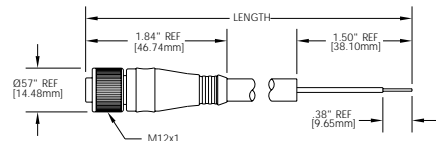


FIG 1

FEMALE 90°

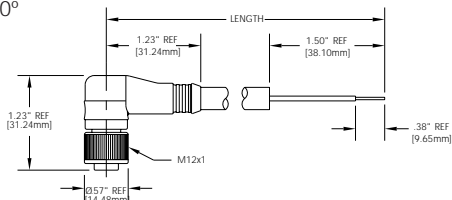
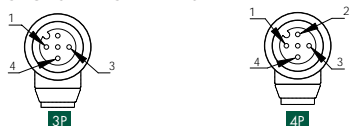


FIG 2

FEMALE CONNECTORS - FACE VIEWS



MALE STRAIGHT

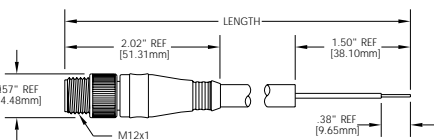


FIG 3

FEMALE STRAIGHT/MALE STRAIGHT

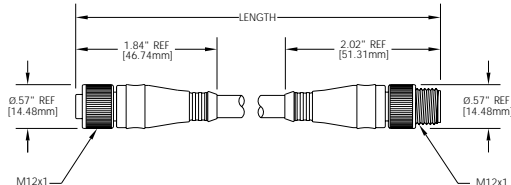


FIG 4

FEMALE 90° /MALE STRAIGHT

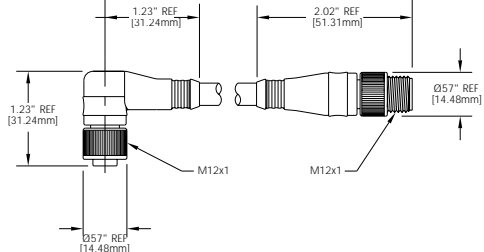
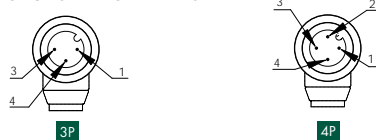


FIG 6

MALE CONNECTORS - FACE VIEWS



MECHANICAL

CONNECTOR FACE: NYLON 6/6
 MOLDED BODY: POLYURETHANE
 O-RING: VITON
 COUPLING NUT: ZINC DIECAST W/ BLACK EPOXY COAT, OPTIONAL STAINLESS STEEL TYPE 303
 CABLE: YELLOW #18 AWG POLYURETHANE JACKET AND PVC CONDUCTOR INSULATION OVER 65 X #36 COPPER STRANDING, 300V, UL STYLE 20549, CSA AWM I/II A/B
 OUTSIDE DIAMETER:
 3P - .27" (6.9mm)
 4P - .29" (7.4mm)

ELECTRICAL

VOLTAGE RATING: 250V AC/DC
 AMPERAGE:
 3P - 4A
 4P - 4A

ENVIRONMENTAL

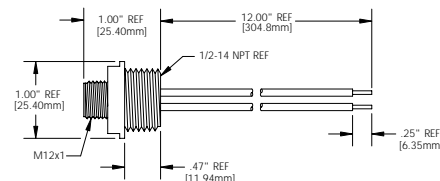
PROTECTION: IP 68, NEMA 6P
 AMBIENT OPERATING TEMP: -4° TO 176° F (-20° TO 80° C)

CERTIFICATIONS

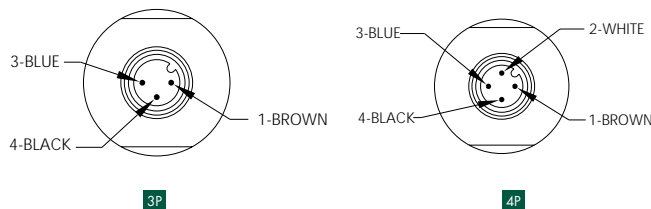
UL: UL LISTED, FILE NO. E152210
 CSA: CSA CERTIFIED, FILE NO LR6837

RECEPTACLE DIMENSIONS

MALE RECEPTACLE W/ EXTERNAL THREADS AND 1/2" -14NPT THREADS



FACE VIEW



SEE PAGE 116 FOR ADDITIONAL RECEPTACLES

FIG 5

FEMALE RECEPTACLE W/ INTERNAL THREADS AND 1/4" -18NPT THREADS

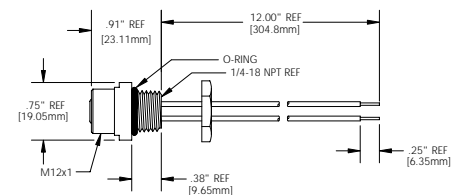


FIG 7