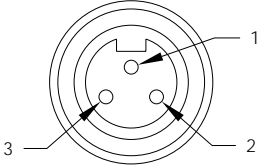
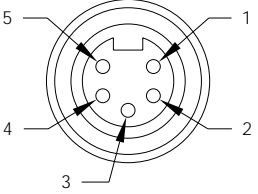


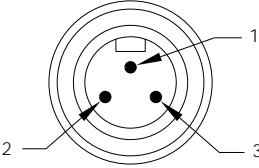
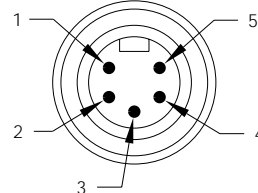


Attachable Connectors

Allows easy field conversion to quick disconnect
 Male with internal or external threads - female with internal threads
 Secure screw terminals #15 AWG to #24 AWG - compatible with existing Mini-Change®

NEW	3P	5P
FEMALE FACE VIEW		
VOLTAGE	600V AC/DC	600V AC/DC
CURRENT	13A	8A
CABLE RANGE	.20" -.48" (5mm-12mm) O.D.	.20" -.48" (5mm-12mm) O.D.

FEMALE	FIG	CATALOG NUMBER	
STRAIGHT WITH INTERNAL THREADS	1	1A3000-34	1A5000-34
MATING RECEPTACLE	4	1R3006A20A120	1R5006A20A120

	3P	5P
MALE FACE VIEW		
VOLTAGE	600V AC/DC	600V AC/DC
CURRENT	13A	8A
CABLE RANGE	.20" -.48" (5mm-12mm) O.D.	.20" -.48" (5mm-12mm) O.D.

MALE	FIG	CATALOG NUMBER	
STRAIGHT WITH EXTERNAL THREADS	2	1A3006-34	1A5006-34
MATING RECEPTACLE*	5	1R3000A20A120	1R5000A20A120
STRAIGHT WITH INTERNAL THREADS	3	1A3002-34	1A5002-34
MATING RECEPTACLE*	6	1R3004A20A120	1R5004A20A120

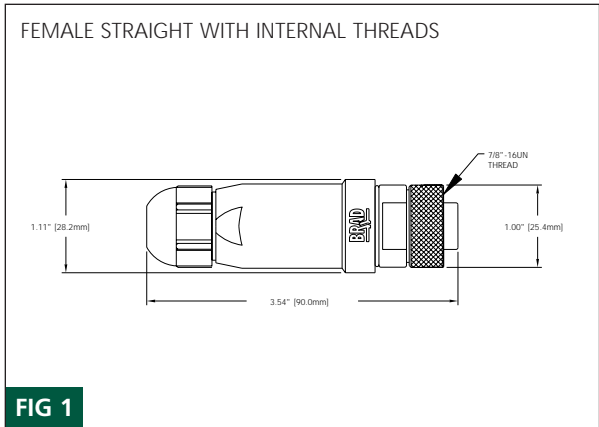
*See Page 46 for additional Mating Receptacles

Specifications



MECHANICAL	
CONNECTOR FACE:	POLYURETHANE
BODY:	POLYAMIDE PA6
CONTACT:	GOLD-PLATED BRASS
COUPLING NUT:	NICKEL-PLATED BRASS
GROMMET:	NEOPRENE
CABLE RANGE O.D.:	.20" - .48" (5.0 - 12.0mm)
ACCEPTABLE WIRE GAUGE RANGE:	#24 AWG (.25mm ²) - #15 AWG (2.0mm ²)
ELECTRICAL	
VOLTAGE RATING:	600 V AC/DC
AMPERAGE:	3P - 13A 5P - 8A
ENVIRONMENTAL	
PROTECTION:	IP 68
AMBIENT OPERATING TEMP:	-40° TO 176° F (-40° TO 80° C)
CERTIFICATIONS	
CSA:	CSA CERTIFIED, FILE NO. LR6837

CONNECTOR DIMENSIONS



RECEPTACLE DIMENSIONS

