



Single-Ended Cordsets

AUTOMOTIVE

#16 AWG yellow type SOO cable – auto color code
 Oil-resistant NBR rubber jacket
 Low-resistance contact design with gold/palladium nickel plating

	3P	4P	5P
FEMALE FACE VIEW			
COLOR CODE	1- green-gnd 2- red w/ black trace 3- red w/ white trace	1- red w/ black trace 3- red 2- red w/ white trace 4- green-gnd	1- red w/ white trace 4- red w/ orange trace 2- red 5- red w/ black trace 3- green-gnd
VOLTAGE	600V AC/DC	600V AC/DC	600V AC/DC
CURRENT	13A	10A	8A
CONDUCTOR	#16-3	#16-4	#16-5

FEMALE	FIG	SINGLE-ENDED CORDSETS WITH #16 AWG TYPE SOO CABLE 3 FEET LONG		
STRAIGHT	1	103000C01F030	104000C01F030	105000C01F030
90°	2	103001C01F030	104001C01F030	105001C01F030
MATING RECEPTACLE*	5	1R3006A24A120	1R4006A20A120	1R5006A24A120
MALE	FIG	SINGLE-ENDED CORDSETS WITH #16 AWG TYPE SOO CABLE 3 FEET LONG		
STRAIGHT	3	103002C01F030	104002C01F030	105002C01F030
90°	4	103003C01F030	104003C01F030	105003C01F030
MATING RECEPTACLE*	5	1R3004A24A120	1R4004A20A120	1R5004A24A120

CATALOG OPTIONS

*See Pages 62 or 46 for additional Mating Receptacles

Use the following chart to modify your part's specifications

103000C01F0301

CABLE LENGTH

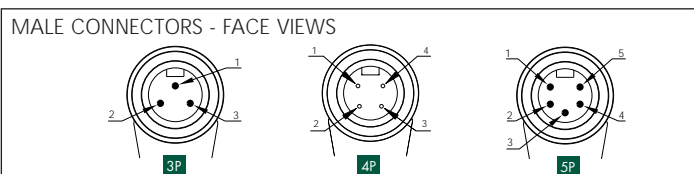
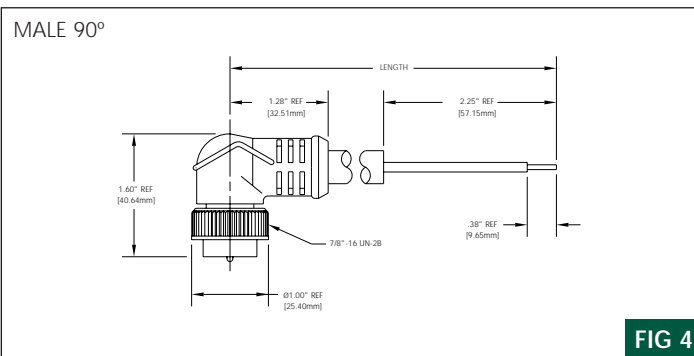
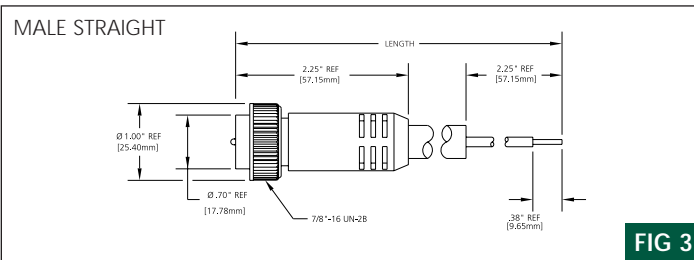
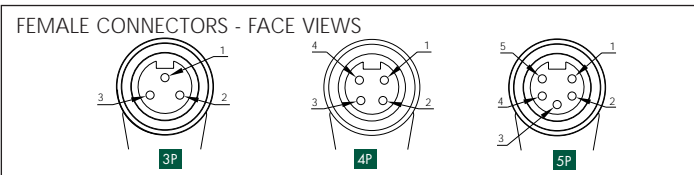
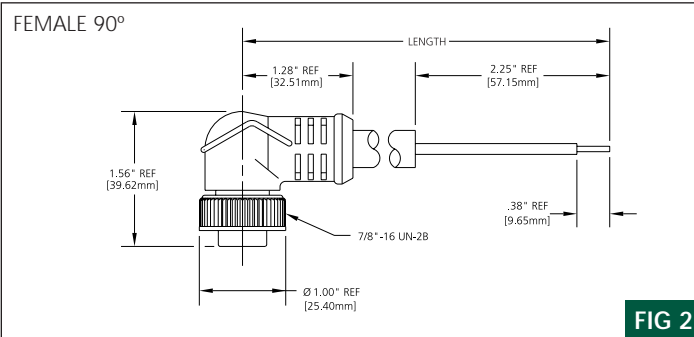
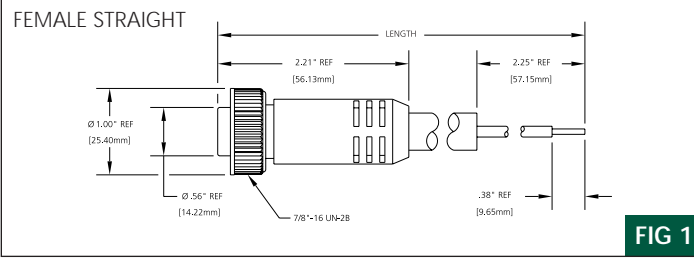
6'	060
12'	120
20'	200

COUPLING NUT

STAINLESS STEEL	...ADD 1
NON-METALLIC	...ADD 2

Specifications

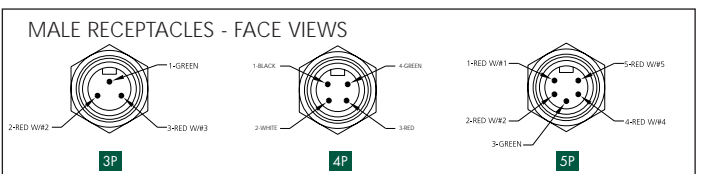
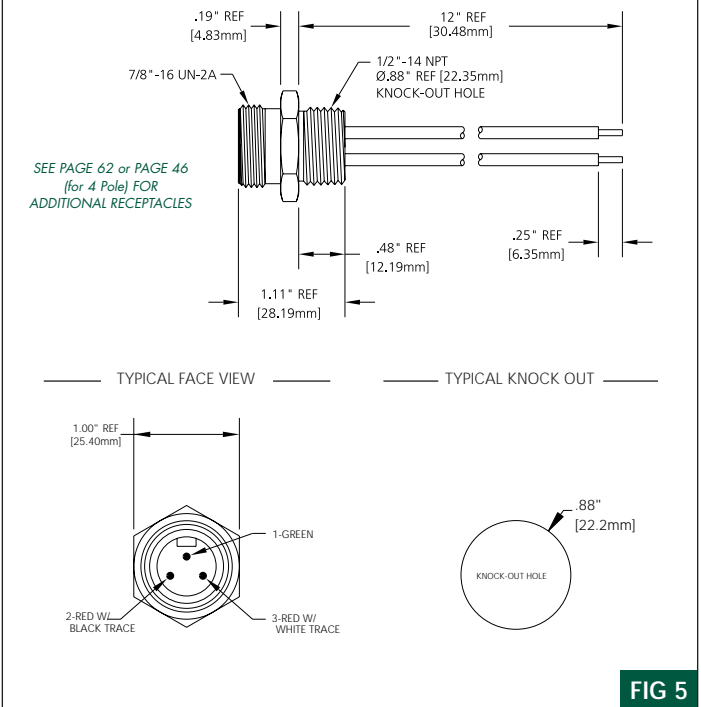
CONNECTOR DIMENSIONS



- MECHANICAL**
 CONNECTOR FACE: PVC - UL STD 94 - V0
 MOLDED BODY: PVC - UL STD 94 - V0
 COUPLING NUT: ZINC DIECAST W/ BLACK EPOXY COAT, OPTIONAL STAINLESS STEEL NYLON 6/6
- CABLE:**
 YELLOW, #16 AWG, NITRILE RUBBER/PVC JACKET, HYPALON CONDUCTOR INSULATION OVER 65 X #34 COPPER STRANDING, 600V, UL TYPE SOO CSA SO
- OUTSIDE DIAMETER:**
 3P - .42" (10.7mm)
 4P - .45" (11.4mm)
 5P - .52" (13.2mm)
- ELECTRICAL**
 VOLTAGE RATING: 600V AC/DC
 AMPERAGE:
 3P - 13A
 4P - 10A
 5P - 8A
- ENVIRONMENTAL**
 PROTECTION: IP 68, NEMA 6P
 AMBIENT OPERATING TEMP: -4° TO 194° F (-20° TO 90° C)
- CERTIFICATIONS**
 UL: UL RECOGNIZED, FILE NO. E46237
 CSA: CSA CERTIFIED, FILE NO. LR6837

RECEPTACLE DIMENSIONS

MALE STRAIGHT WITH 1/2" - 14NPT THREADS
 FEMALE STRAIGHT WITH 1/2" - 14NPT THREADS





Double-Ended Cordsets

#16 AWG yellow type SOO cable – auto color code
 Oil-resistant NPR rubber jacket
 Low-resistance contact design with gold/palladium nickel plating

	3P	4P	5P
FEMALE FACE VIEW			
COLOR CODE	1- green-gnd 2- red w/ black trace 3- red w/ white trace	1- red w/ black trace 3- red 2- red w/ white trace 4- green-gnd	1- red w/ white trace 4- red w/ orange trace 2- red 5- red w/ black trace 3- green-gnd
VOLTAGE	600V AC/DC	600V AC/DC	600V AC/DC
CURRENT	13A	10A	8A
CONDUCTOR	#16-3	#16-4	#16-5

FEMALE/MALE	FIG	DOUBLE-ENDED CORDSETS WITH #16 AWG TYPE SOO CABLE 3 FEET LONG		
STRAIGHT/STRAIGHT	1	113020C01F030	114020C01F030	115020C01F030
90°/STRAIGHT	2	113021C01F030	114021C01F030	115021C01F030
STRAIGHT/90°	3	113022C01F030	114022C01F030	115022C01F030
90°/90°	4	113023C01F030	114023C01F030	115023C01F030

CATALOG OPTIONS

Use the following chart to modify your part's specifications

113020C01F0301

CABLE LENGTH

6'	060
12'	120
20'	200

COUPLING NUT

STAINLESS STEEL	ADD 1
NON-METALLIC	ADD 2

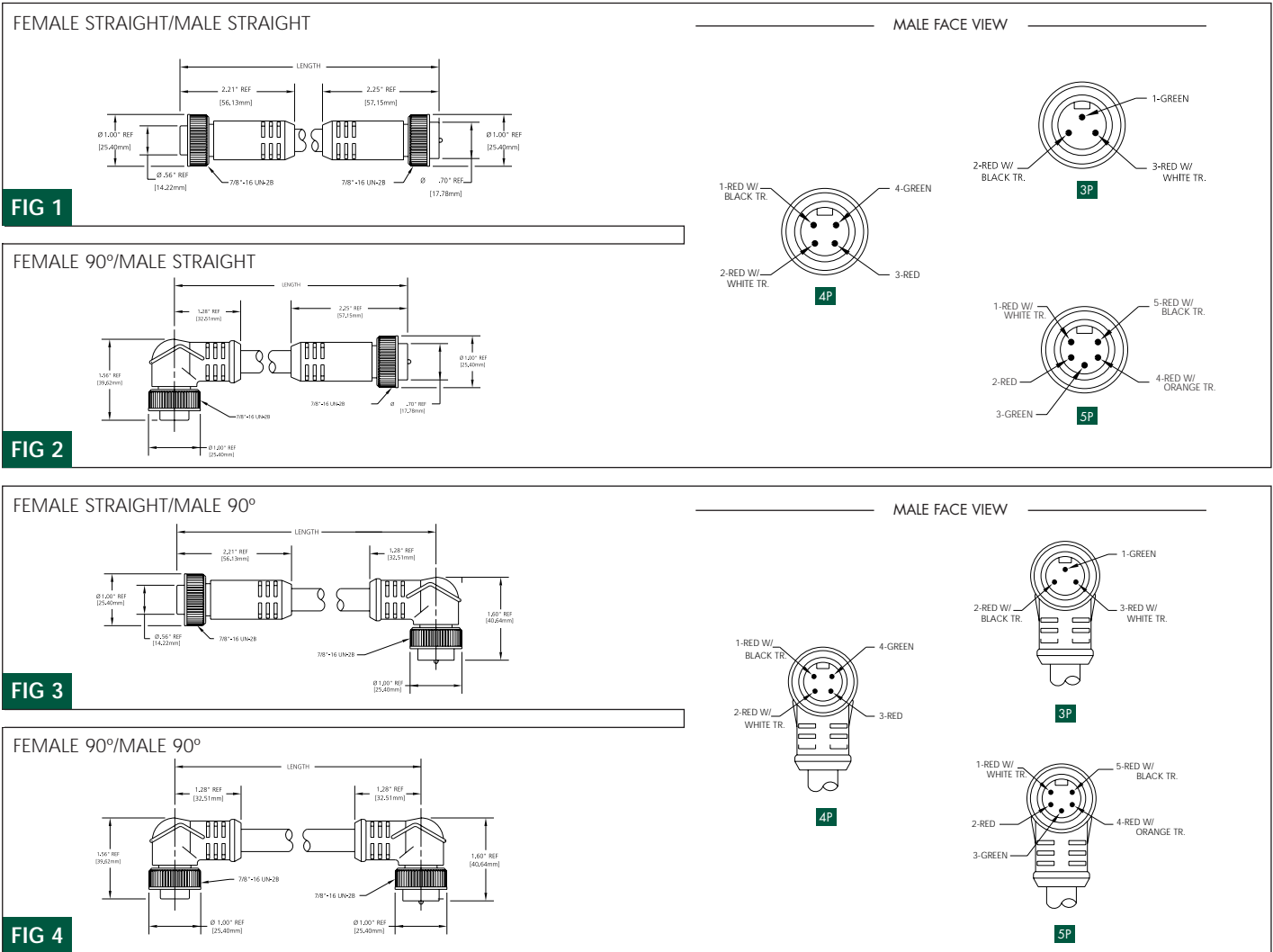
Specifications

3P to 5P



MECHANICAL	
CONNECTOR FACE:	PVC - UL STD 94 - V0
MOLDED BODY:	PVC - UL STD 94 - V0
COUPLING NUT:	ZINC DIECAST W/ BLACK EPOXY COAT, OPTIONAL STAINLESS STEEL
	TYPE 303 OR NON-METALLIC GRAY NYLON 6/6
CABLE:	YELLOW, #16 AWG, NITRILE RUBBER/PVC JACKET & HYPALON CONDUCTOR INSULATION OVER 65 X #34 COPPER STRANDING, 600V, UL TYPE SOO CSA SO
OUTSIDE DIAMETER:	3P - .42" (10.7mm) 4P - .45" (11.4mm) 5P - .52" (13.2mm)
ELECTRICAL	
VOLTAGE RATING:	600 V AC/DC
AMPERAGE:	3P - 13A 4P - 10A 5P - 8A
ENVIRONMENTAL	
PROTECTION:	IP68, NEMA 6P
AMBIENT OPERATING TEMP:	-4° TO 194° F (-20° TO 90° C)
CERTIFICATIONS	
UL:	UL RECOGNIZED, FILE NO. E46237
CSA:	CSA CERTIFIED, FILE NO. LR6837

CONNECTOR DIMENSIONS





Single-Ended Cordsets

#18 AWG yellow AWM 2661 cable – auto color code
 Oil-resistant PVC jacket
 Low-resistance contact design with gold/palladium nickel plating

NEW	3P	4P	5P
FEMALE FACE VIEW			
COLOR CODE	1- green-gnd 2- red w/ black trace 3- red w/ white trace	1- red w/ black trace 3- red 2- red w/ white trace 4- green-gnd	1- red w/ white trace 4- red w/ yellow trace 2- red 5- red w/ black trace 3- green-gnd
VOLTAGE	300V AC/DC	300V AC/DC	300V AC/DC
CURRENT	10A	7A	5.6A
CONDUCTOR	#18-3	#18-4	#18-5

FEMALE	FIG	SINGLE-ENDED CORDSETS WITH #18 AWG PVC CABLE 3 FEET LONG		
STRAIGHT	1	103000A03F030	104000A03F030	105000A03F030
90°	2	103001A03F030	104001A03F030	105001A03F030
MATING RECEPTACLE*	5	1R3006A17A120	1R4006A17A120	1R5006A17A120
MALE	FIG	SINGLE-ENDED CORDSETS WITH #18 AWG PVC CABLE 3 FEET LONG		
STRAIGHT	3	103002A03F030	104002A03F030	105002A03F030
90°	4	103003A03F030	104003A03F030	105003A03F030
MATING RECEPTACLE*	5	1R3004A17A120	1R4004A17A120	1R5004A17A120

CATALOG OPTIONS

*See Page 58 for additional Mating Receptacles

Use the following chart to modify your part's specifications

103000A03F0301

CABLE LENGTH

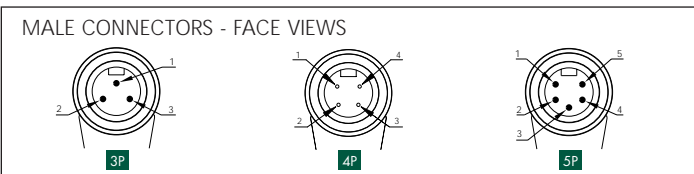
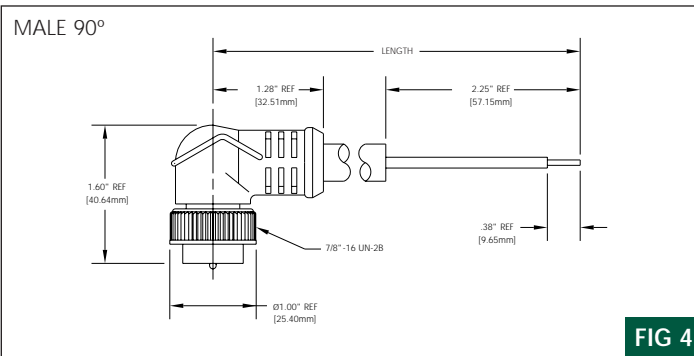
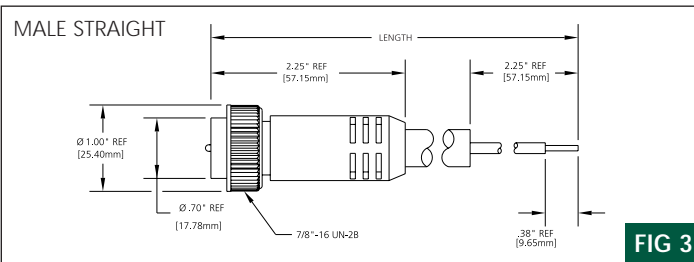
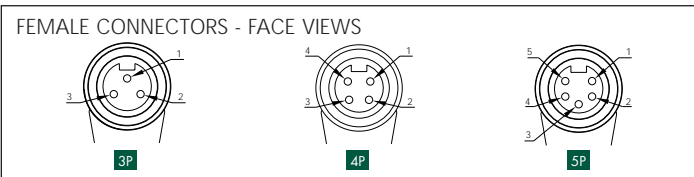
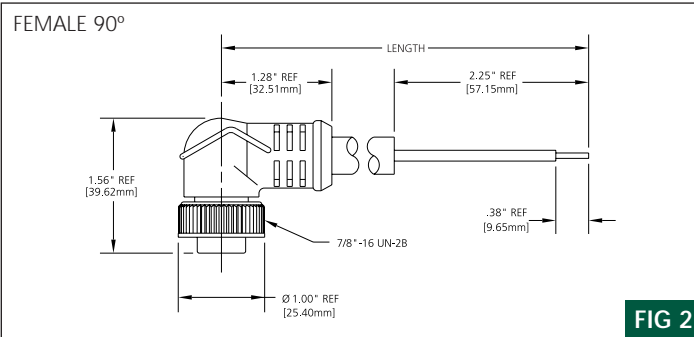
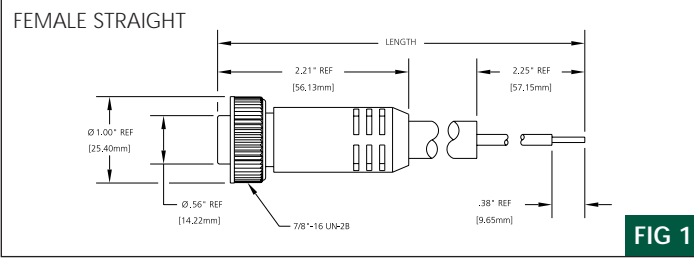
6'	060
12'	120
20'	200

COUPLING NUT

STAINLESS STEEL	ADD 1
NON-METALLIC	ADD 2

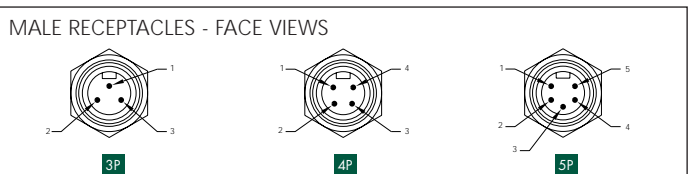
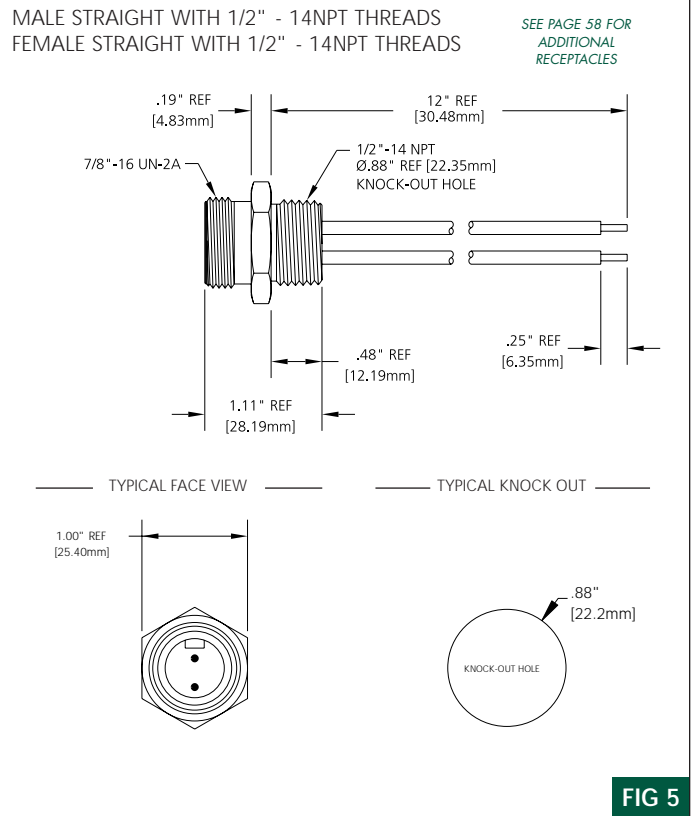
Specifications

CONNECTOR DIMENSIONS



- MECHANICAL**
 CONNECTOR FACE: PVC - UL STD 94 - V0
 MOLDED BODY: PVC - UL STD 94 - V0
 COUPLING NUT: ZINC DIECAST W/ BLACK EPOXY COAT, OPTIONAL STAINLESS STEEL NYLON 6/6
- CABLE:**
 YELLOW, #18 AWG, PVC JACKET & PVC CONDUCTOR INSULATION OVER 41 X #34 COPPER STRANDING, 300V, UL STYLE 2661 CSA AWM I/II A/B
- OUTSIDE DIAMETER:**
 3P - .28" (7.1mm)
 4P - .28" (7.1mm)
 5P - .28" (7.1mm)
- ELECTRICAL**
 VOLTAGE RATING: 300 V AC/DC
 AMPERAGE: 3P - 10A
 4P - 7A
 5P - 5.6A
- ENVIRONMENTAL**
 PROTECTION: IP 68, NEMA 6P
 AMBIENT OPERATING TEMP: -4° TO 221° F (-20° TO 105° C)
- CERTIFICATIONS**
 UL: UL RECOGNIZED, FILE NO.E46237
 CSA: CSA CERTIFIED, FILE NO.LR6837

RECEPTACLE DIMENSIONS





Double-Ended Cordsets

#18 AWG yellow AWM 2661 cable – auto color code
 Oil-resistant PVC jacket
 Low-resistance contact design with gold/palladium nickel plating

NEW	3P	4P	5P
FEMALE FACE VIEW			
COLOR CODE	1- green-gnd 2- red w/ black trace 3- red w/ white trace	1- red w/ black trace 3- red 2- red w/ white trace 4- green-gnd	1- red w/ white trace 4- red w/ yellow trace 2- red 5- red w/ black 3- green-gnd
VOLTAGE	300V AC/DC	300V AC/DC	300V AC/DC
CURRENT	10A	7A	5.6A
CONDUCTOR	#18-3	#18-4	#18-5

FEMALE/MALE	FIG	DOUBLE-ENDED CORDSETS WITH #18 AWG PVC CABLE 3 FEET LONG		
STRAIGHT/STRAIGHT	1	113020A03F030	114020A03F030	115020A03F030
90°/STRAIGHT	2	113021A03F030	114021A03F030	115021A03F030
STRAIGHT/90°	3	113022A03F030	114022A03F030	115022A03F030
90°/90°	4	113023A03F030	114023A03F030	115023A03F030

CATALOG OPTIONS

Use the following chart to modify your part's specifications

113020A03F0301

CABLE LENGTH

6'	060
12'	120
20'	200

COUPLING NUT

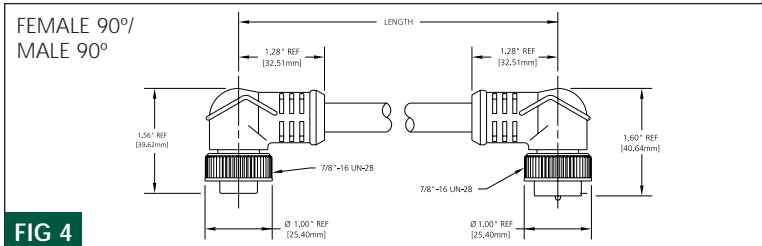
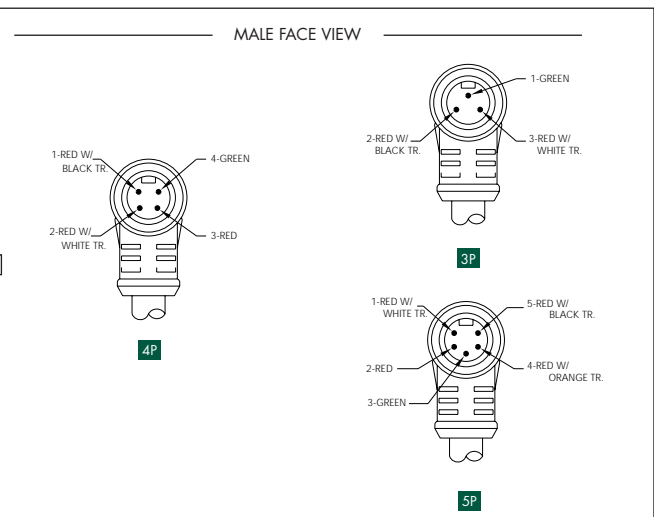
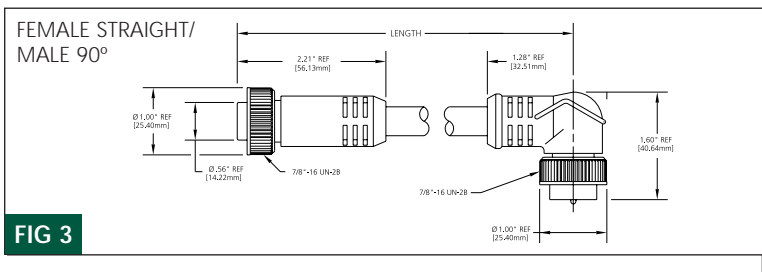
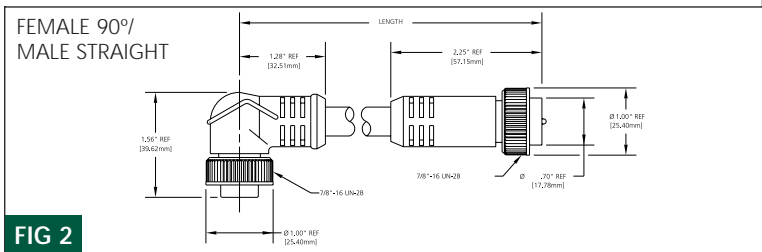
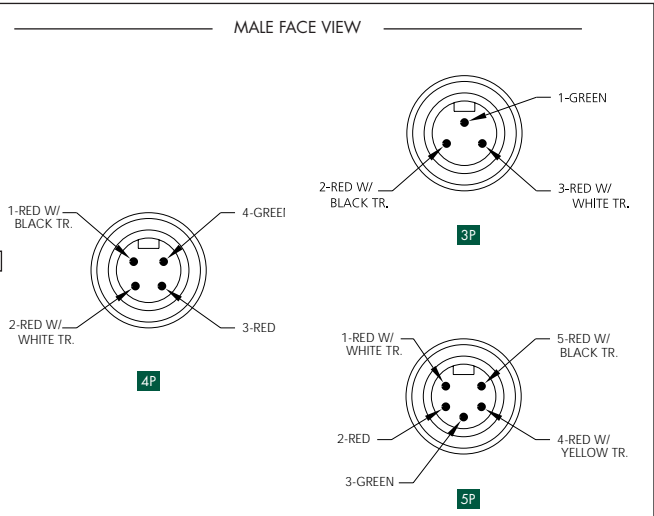
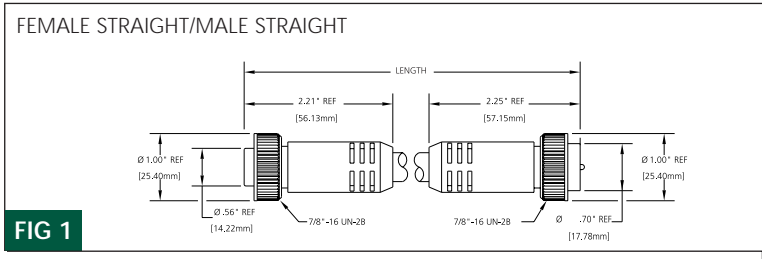
STAINLESS STEEL	ADD 1
NON-METALLIC	ADD 2

Specifications



MECHANICAL	
CONNECTOR FACE:	PVC - UL STD 94 - V0
MOLDED BODY:	PVC - UL STD 94 - V0
COUPLING NUT:	ZINC DIECAST W/ BLACK EPOXY COAT, OPTIONAL STAINLESS STEEL
	TYPE 303 OR NON-METALLIC GRAY NYLON 6/6
CABLE:	YELLOW, #18 AWG, PVC JACKET & PVC CONDUCTOR INSULATION OVER 41 X #34 COPPER STRANDING, 300V, UL STYLE 2661, CSA AWM I/II A/B
OUTSIDE DIAMETER:	3P - .28" (7.1mm) 4P - .28" (7.1mm) 5P - .28" (7.1mm)
ELECTRICAL	
VOLTAGE RATING:	300 V AC/DC
AMPERAGE:	3P - 10A 4P - 7A 5P - 5.6A
ENVIRONMENTAL	
PROTECTION:	IP 68 NEMA 6P
AMBIENT OPERATING TEMP:	-4° TO 221° F (-20° TO 105° C)
CERTIFICATIONS	
UL:	UL RECOGNIZED, FILE NO. E46237
CSA:	CSA CERTIFIED, FILE NO. LR6837

CONNECTOR DIMENSIONS





Single & Double-Ended Cordsets

#18 AWG yellow TPE universal high flex cable – auto color code
 Excellent chemical-, oil- and weld slag-resistance
 Low-resistance contact design with gold/palladium nickel plating

NEW	3P	5P
FEMALE FACE VIEW		
COLOR CODE	1- green-gnd 2- red w/ black trace 3- red w/ white trace	1- red w/ white trace 2- red 3- green-gnd 4- red w/ yellow trace 5- red w/ black trace
VOLTAGE	300V AC/DC	300V AC/DC
CURRENT	10A	5.6A
CONDUCTOR	#18-3	#18-5

FEMALE	FIG	SINGLE-ENDED CORDSETS WITH #18 AWG TPE CABLE 6 FEET LONG	
STRAIGHT	1	103000K02F060	105000K02F060
90°	2	103001K02F060	105001K02F060
MATING RECEPTACLE*	4	1R3006A17A120	1R5006A17A120
FEMALE/MALE	FIG	DOUBLE-ENDED CORDSETS WITH #18 AWG TPE CABLE 6 FEET LONG	
STRAIGHT/ STRAIGHT	3	113020K02F060	115020K02F060

CATALOG OPTIONS

*See Page 58 for additional Mating Receptacles

Use the following chart to modify your part's specifications

103000K02F0601

CABLE LENGTH

12'	120
20'	200

COUPLING NUT

STAINLESS STEEL	ADD 1
NON-METALLIC	ADD 2

Specifications



CONNECTOR DIMENSIONS

FEMALE STRAIGHT

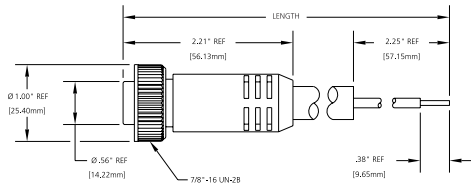


FIG 1

FEMALE 90°

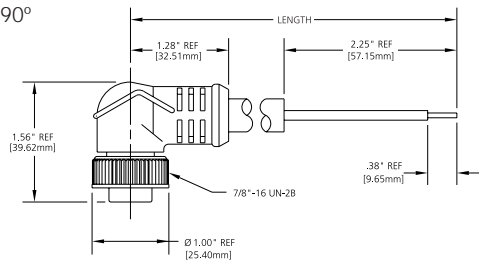


FIG 2

FEMALE STRAIGHT/MALE STRAIGHT

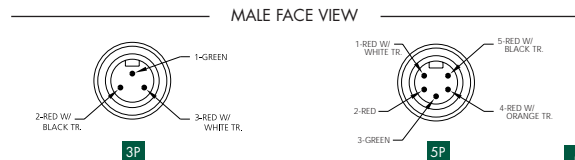
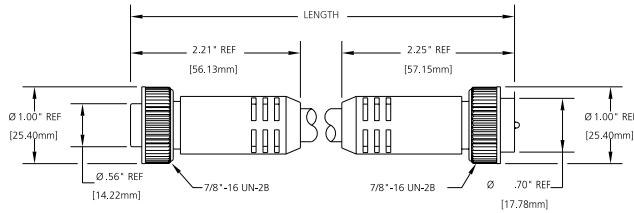


FIG 3

- MECHANICAL**
 CONNECTOR FACE: PVC - UL STD 94 - V0
 MOLDED BODY: PVC - UL STD 94 - V0
 COUPLING NUT: ZINC DIECAST W/ BLACK EPOXY COAT, OPTIONAL STAINLESS STEEL TYPE 303 OR NON-METALLIC GRAY NYLON 6/6
- CABLE:**
 YELLOW, #18 AWG, TPE JACKET & PVC CONDUCTOR INSULATION OVER 41 X #34 COPPER STRANDING, 300V, UL STYLE 20626, CSA AWM I/II A/B
- OUTSIDE DIAMETER:**
 3P - .26" (6.6mm)
 5P - .30" (7.6mm)
- ELECTRICAL**
 VOLTAGE RATING: 300 V AC/DC
 AMPERAGE: 3P - 10A
 5P - 5.6A
- ENVIRONMENTAL**
 PROTECTION: IP 68, NEMA 6P
 AMBIENT OPERATING TEMP: -4° TO 221° F (-20° TO 105° C)
- CERTIFICATIONS**
 UL: UL RECOGNIZED, FILE NO. E46237
 CSA: CSA CERTIFIED, FILE NO. LR6837

RECEPTACLE DIMENSIONS

MALE STRAIGHT WITH 1/2" - 14NPT THREADS

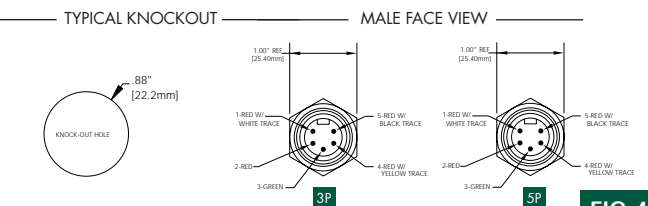
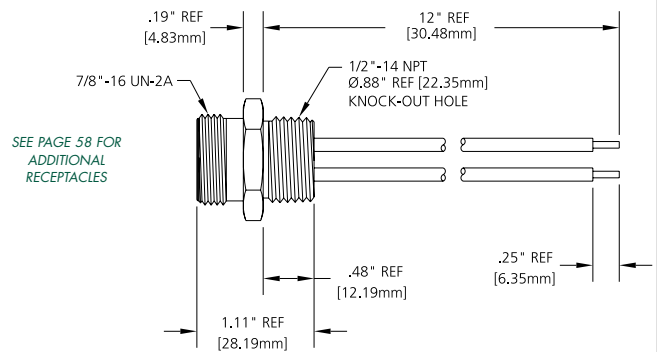


FIG 4

CHEMICAL & OIL-RESISTANCE CHART - TPE CABLE

ACIDS & BASES	PERFORMANCE	OILS & FUELS	PERFORMANCE
SULFURIC ACID 30%	EXCELLENT	ASTM OIL 1,2, OR 3	EXCELLENT
NITRIC ACID 10%	EXCELLENT	TRIMSOL	EXCELLENT
SODIUM HYDROXIDE 10%	EXCELLENT	SIMEOL	EXCELLENT
AMMONIUM HYDROXIDE 10%	EXCELLENT	MOBIL OIL DTE 24 OR 26	EXCELLENT
HYDROCHLORIC ACID 20%	EXCELLENT	KEROSENE	EXCELLENT
GLACIAL ACIDIC ACID	GOOD	TRANSFORMER OIL	GOOD



Receptacles

#18 AWG PVC 12-inch leads - auto color code – epoxy potted
 Straight male & female
 Low-resistance contact design with gold/palladium nickel plating

	3P	4P	5P
MALE FACE VIEW			
COLOR CODE	1- green-gnd 2- red w/ black trace 3- red w/ white trace	1- red w/ black trace 3- red 2- red w/ white trace 4- green-gnd	1- red w/ white trace 4- red w/ yellow trace 2- red 5- red w/ black trace 3- green-gnd
VOLTAGE	300V AC/DC	300V AC/DC	300V AC/DC
CURRENT	10A	7A	5.6A
CONDUCTOR	#18-3	#18-4	#18-5

MALE	FIG	RECEPTACLES WITH #18 AWG PVC LEADS 12 INCHES LONG		
STRAIGHT	1	1R3006A17A120	1R4006A17A120	1R5006A17A120
FEMALE	FIG	RECEPTACLES WITH #18 AWG PVC LEADS 12 INCHES LONG		
STRAIGHT	2	1R3004A17A120	1R4004A17A120	1R5004A17A120

PART NO.	ACCESSORIES
5601	Locknut 1/2" -14NPT, zinc plated steel
5611	Gasket, black neoprene

CATALOG OPTIONS

Use the following chart to modify your part's specifications

1R3006A17A120

CABLE LENGTH

3'	F030
6'	F060

Specifications



MECHANICAL

SHELL: ZINC DIECAST W/ BLACK EPOXY COAT, OPTIONAL STAINLESS STEEL TYPE 303

INSERT: PVC - UL STD 94 - V0

CONDUCTORS: #18 AWG, PVC INSULATION OVER 16 X #30 COPPER STRANDING, 300V, UL STYLE 1061, CSA AWM SR

ELECTRICAL

VOLTAGE RATING: 300 V AC/DC

AMPERAGE: 3P - 10A

4P - 7A

5P - 5.6A

ENVIRONMENTAL

PROTECTION: IP 68, NEMA 6P

AMBIENT OPERATING TEMP: -4° TO 176° F (-20° TO 80° C)

CERTIFICATIONS

UL: UL RECOGNIZED, FILE NO. E46237

CSA: CSA CERTIFIED, FILE NO. LR6837

RECEPTACLE DIMENSIONS

MALE STRAIGHT WITH 1/2" - 14NPT THREADS

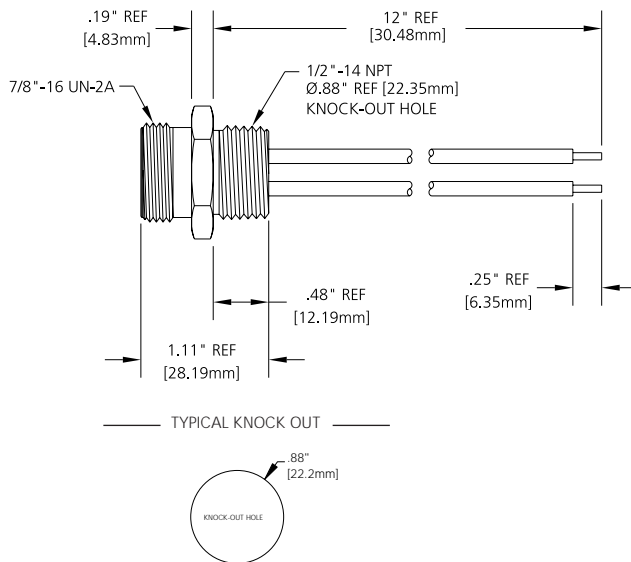


FIG 1

FEMALE STRAIGHT WITH 1/2" - 14NPT THREADS

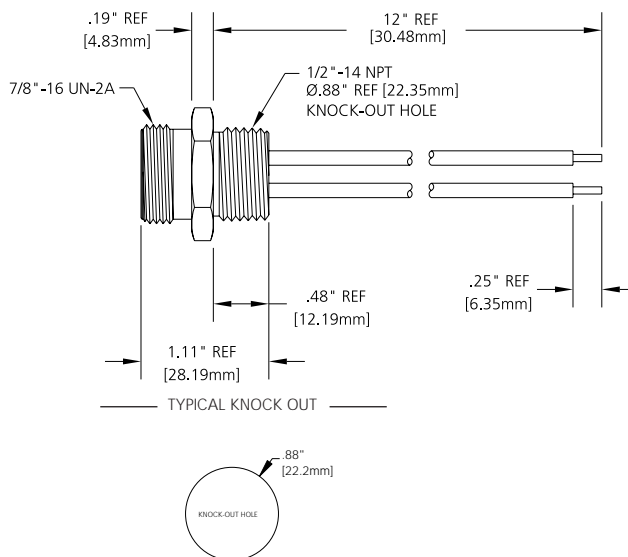
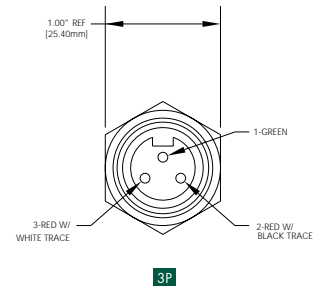
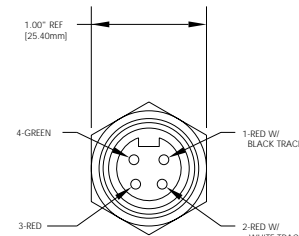


FIG 2

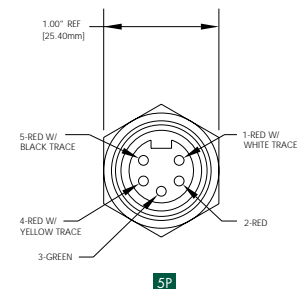
FEMALE FACE VIEW



3P



4P



5P



Single-Ended Cordsets

AUTOMOTIVE

#16 AWG yellow ST00W cable – auto color code
 Oil-resistant PVC jacket
 Low-resistance contact design with gold/palladium nickel plating

	3P	5P
FEMALE FACE VIEW		
COLOR CODE	1- green-gnd 2- red w/ #2 3- red w/ #3	1- red w/ #1 2- red w/ #2 3- green-gnd 4- red w/ #4 5- red w/ #5
VOLTAGE	600V AC/DC	600V AC/DC
CURRENT	13A	8A
CONDUCTOR	#16-3	#16-5

FEMALE	FIG	SINGLE-ENDED CORDSETS WITH #16 AWG ST00W CABLE 3 FEET LONG	
STRAIGHT	1	103000A02F030	105000A02F030
90°	2	103001A02F030	105001A02F030
MATING RECEPTACLE*	5	1R3006A24A120	1R5006A24A120
MALE	FIG	SINGLE-ENDED CORDSETS WITH #16 AWG ST00W CABLE 3 FEET LONG	
STRAIGHT	3	103002A02F030	1R5002A02F030
90°	4	103003A02F030	1R5003A02F030
MATING RECEPTACLE*	5	1R3004A24A120	1R5004A24A120

CATALOG OPTIONS

*See Page 62 for additional Mating Receptacles

Use the following chart to modify your part's specifications

103000A02F0301

CABLE LENGTH

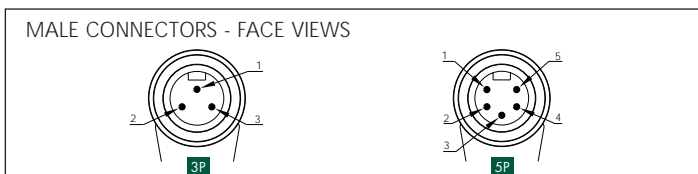
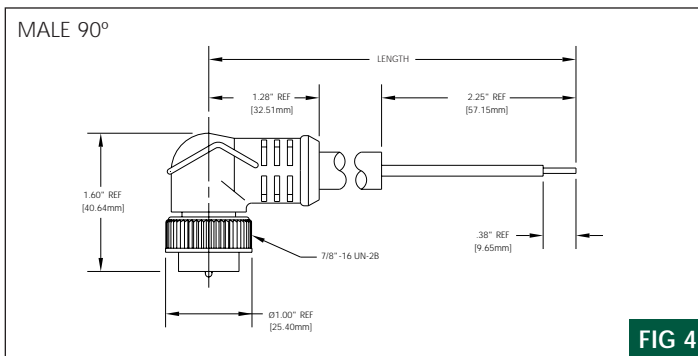
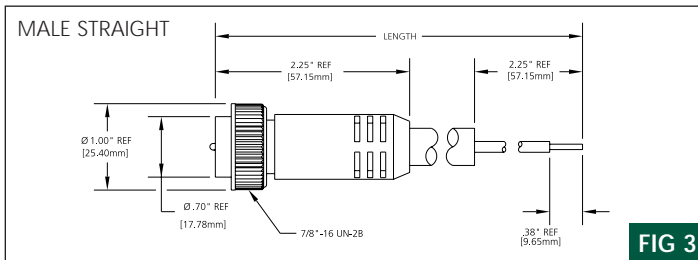
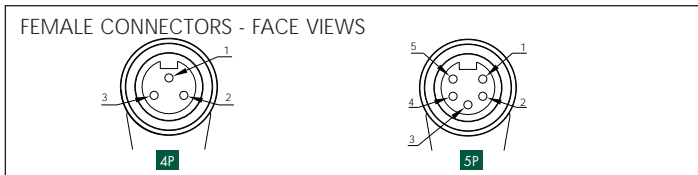
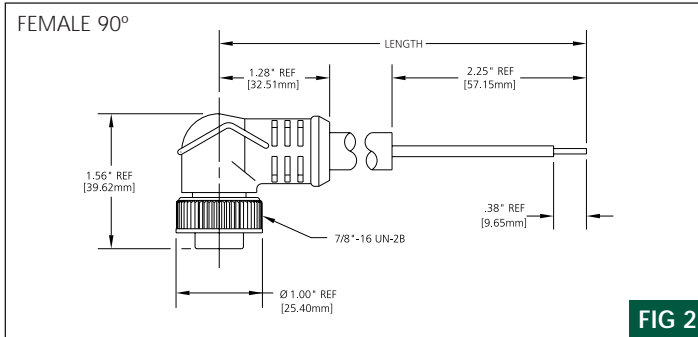
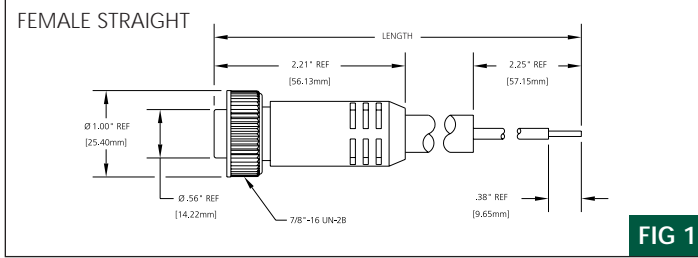
6'	060
12'	120
20'	200

COUPLING NUT

STAINLESS STEEL	ADD 1
NON-METALLIC	ADD 2

Specifications

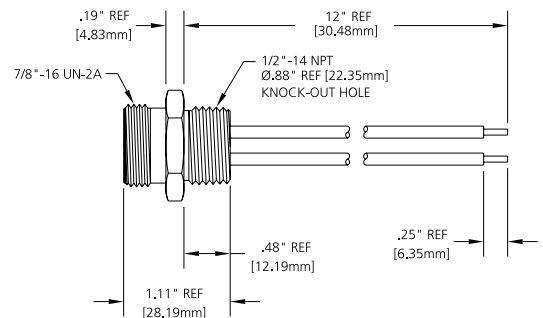
CONNECTOR DIMENSIONS



- MECHANICAL**
 CONNECTOR FACE: PVC - UL STD 94 - V0
 MOLDED BODY: PVC - UL STD 94 - V0
 COUPLING NUT: ZINC DIECAST W/ BLACK EPOXY COAT, OPTIONAL STAINLESS STEEL TYPE 303 OR NON-METALLIC GRAY NYLON 6/6
- CABLE:** YELLOW, #16 AWG, PVC JACKET & PVC CONDUCTOR INSULATION OVER 65 X #34 COPPER STRANDING, 600V, UL ST00W, CSA ST
- OUTSIDE DIAMETER:**
 3P - .41" (10.4mm)
 5P - .50" (12.7mm)
- ELECTRICAL**
 VOLTAGE RATING: 600 V AC/DC
 AMPERAGE:
 3P - 13A
 5P - 8A
- ENVIRONMENTAL**
 PROTECTION: IP 68, NEMA 6P
 AMBIENT OPERATING TEMP: -4° TO 221° F (-20° TO 105° C)
- CERTIFICATIONS**
 UL: UL RECOGNIZED, FILE NO. E46237
 CSA: CSA CERTIFIED, FILE NO. LR6837

RECEPTACLE DIMENSIONS

MALE STRAIGHT WITH 1/2" - 14NPT THREADS
 FEMALE STRAIGHT WITH 1/2" - 14NPT THREADS
 SEE PAGE 62 FOR ADDITIONAL RECEPTACLES



TYPICAL FACE VIEW TYPICAL KNOCK OUT

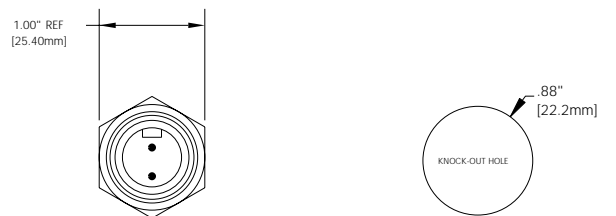
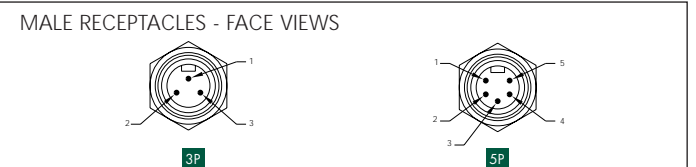


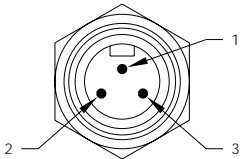
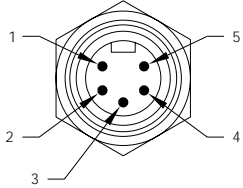
FIG 5





Receptacles AUTOMOTIVE

#16 AWG PVC 12-inch leads – auto color code, epoxy potted
 Straight and 90° male – straight female
 Low-resistance contact design with gold/palladium nickel plating

	3P	5P
MALE FACE VIEW		
COLOR CODE	1- green-gnd 2- red w/ #2 3- red w/ #3	1- red w/ #1 2- red w/ #2 3- green-gnd 4- red w/ #4 5- red w/ #5
VOLTAGE	600V AC/DC	600V AC/DC
CURRENT	13A	8A
CONDUCTOR	#16-3	#16-5

MALE	FIG	RECEPTACLES WITH #16 AWG PVC LEADS 12 INCHES LONG	
STRAIGHT WITH 1/2" -14NPT	1	1R3006A24A120	1R5006A24A120
90° WITH 1/2" -14NPT	2	1R3007A24A120	1R5007A24A120

FEMALE	FIG	RECEPTACLES WITH #16 AWG PVC LEADS 12 INCHES LONG	
STRAIGHT WITH 1/2" -14NPT	3	1R3004A24A120	1R5004A24A120

PART NO.	ACCESSORIES
5601	Locknut 1/2" -14NPT, zinc plated steel
5611	Gasket, black neoprene

CATALOG OPTIONS

Use the following chart to modify your part's specifications

1R3006A24A1201

LEAD LENGTH

3'	F030
6'	F060

SHELL

STAINLESS STEEL SHELL .ADD 1
 (AVAILABLE ON STRAIGHT ONLY)

Specifications



MECHANICAL

SHELL: STRAIGHT & 90° ZINC DIECAST W/ BLACK EPOXY COAT, OPTIONAL STAINLESS STEEL TYPE 303 ON STRAIGHT SHELL DESIGN

INSERT: PVC - UL STD 94 - V0

CONDUCTORS: #16 AWG PVC INSULATION OVER 26 X #30 COPPER STRANDING, 600V, UL STYLE 1015, CSA TEW

ELECTRICAL

VOLTAGE RATING: 600 V AC/DC

AMPERAGE: 3P - 13A

5P - 8A

ENVIRONMENTAL

PROTECTION: IP 68, NEMA 6P

AMBIENT OPERATING TEMP: -4° TO 221° F (-20° TO 105° C)

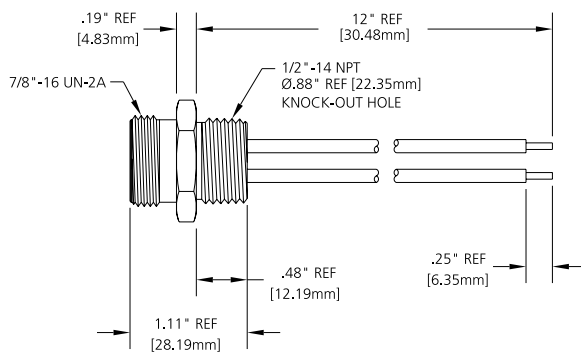
CERTIFICATIONS

UL: UL RECOGNIZED, FILE NO. E46237

CSA: CSA CERTIFIED, FILE NO. LR6837

RECEPTACLE DIMENSIONS

MALE STRAIGHT WITH 1/2" - 14NPT THREADS



TYPICAL KNOCKOUT

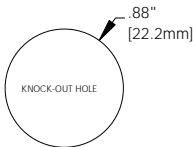
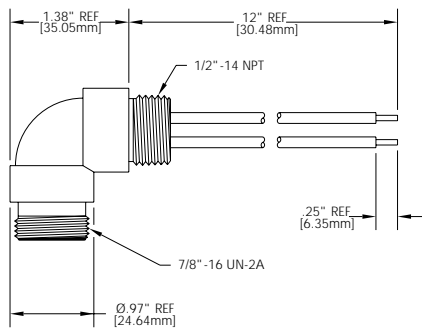
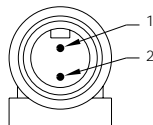


FIG 1

MALE 90° WITH 1/2" - 14NPT THREADS



TYPICAL MALE FACE VIEW



TYPICAL FEMALE FACE VIEW

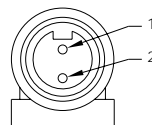
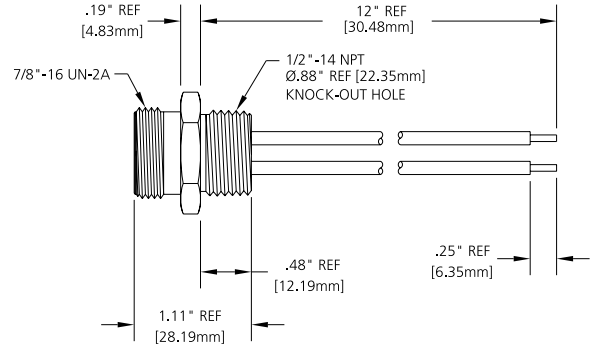
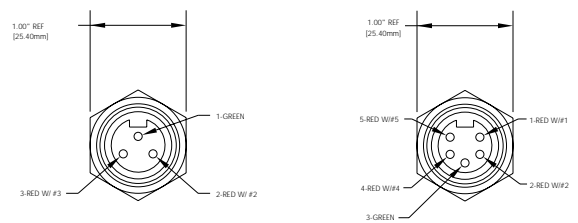


FIG 2

FEMALE STRAIGHT W/ 1/2" - 14NPT THREADS



FEMALE FACE VIEW



3P

5P

TYPICAL KNOCKOUT

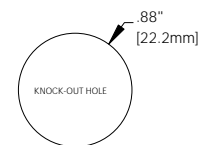


FIG 3



Single-Ended Cordsets

#18 and #20 AWG yellow PVC cable – IEC color code
 Oil-resistant PVC jacket
 Low-resistance contact design with gold/palladium nickel plating

	3P	3P	4P	5P
FEMALE FACE VIEW				
COLOR CODE	1- green/yellow-gnd 2- brown 3- blue	1- black 2- brown 3- blue	1- black 2- blue 3- brown 4- white	1- black 2- blue 3- green/yellow-gnd 4- brown 5- white
VOLTAGE	300V AC/DC	300V AC/DC	300V AC/DC	300V AC/DC
CURRENT	10A	7A	5.6A	4A
CONDUCTOR	18 AWG	18 AWG	18 AWG	20 AWG

FEMALE	FIG	SINGLE-ENDED CORDSETS WITH #18 OR #20 AWG PVC CABLE 1 METER LONG			
STRAIGHT	1	103000A06M010	103000A05M010	104000A05M010	105000A07M010
90°	2	103001A06M010	103001A05M010	104001A05M010	105001A07M010
MATING RECEPTACLE*	5	1R3D06A25A120	1R3D06A16A120	1R4D06A16A120	1R5D06A25A120
MALE	FIG	SINGLE-ENDED CORDSETS WITH #18 OR #20 AWG PVC CABLE 1 METER LONG			
STRAIGHT	3	103002A06M010	103002A05M010	104002A05M010	105002A07M010
90°	4	103003A06M010	103003A05M010	104003A05M010	105003A07M010
MATING RECEPTACLE*	5	1R3D04A25A120	1R3D04A16A120	1R4D04A16A120	1R5D04A25A120

CATALOG OPTIONS

*See Page 66 for additional Mating Receptacles

Use the following chart to modify your part's specifications

103000A06M0101

CABLE LENGTH

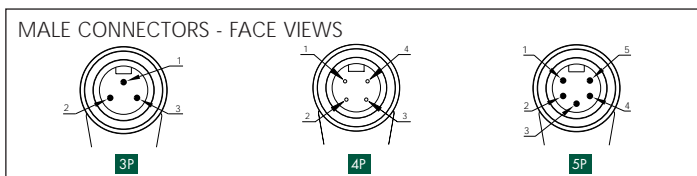
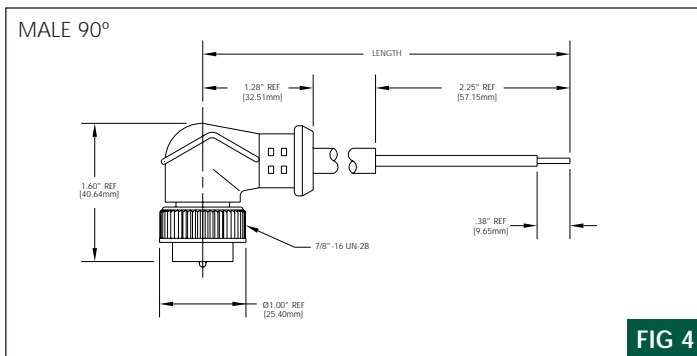
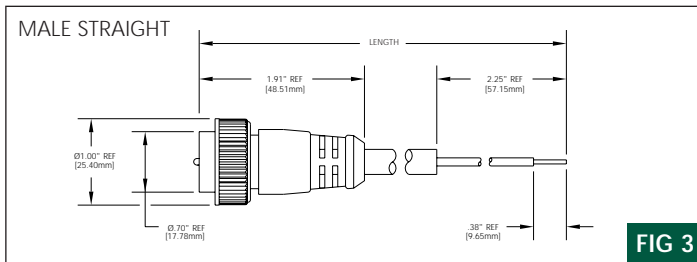
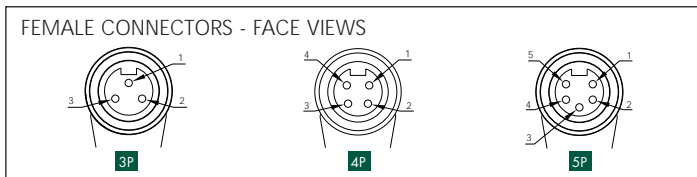
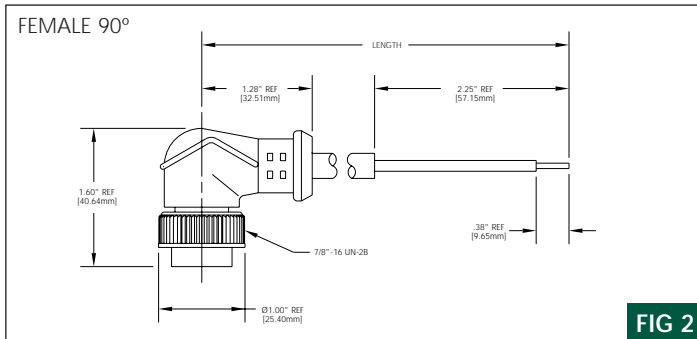
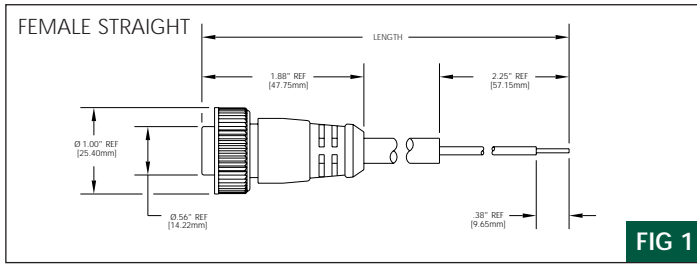
2 METERS	020
5 METERS	050

COUPLING NUT

STAINLESS STEEL	ADD 1
NON-METALLIC	ADD 2

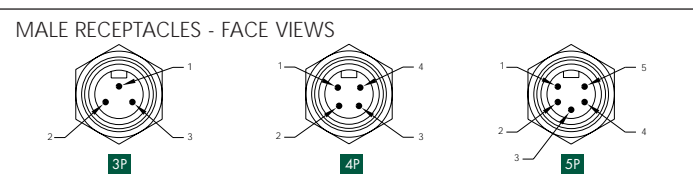
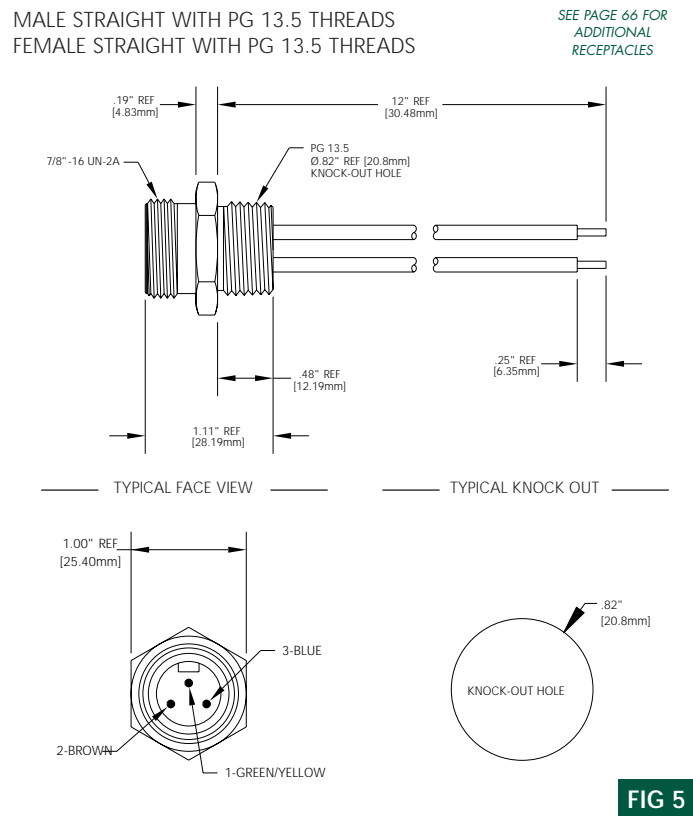
Specifications

CONNECTOR DIMENSIONS



- MECHANICAL**
 CONNECTOR FACE: PVC - UL STD 94 - V0
 MOLDED BODY: PVC - UL STD 94 - V0
 COUPLING NUT:
 ZINC DIECAST W/ BLACK EPOXY COAT, OPTIONAL STAINLESS STEEL TYPE 303 OR NON-METALLIC GRAY NYLON 6/6
- CABLE:**
 YELLOW, PVC JACKET & PVC CONDUCTOR INSULATION, 3P & 4P: #18 AWG, 41 X #34 COPPER STRANDING, 5P: #20 AWG, 26 X #34 COPPER STRANDING, 300V
- OUTSIDE DIAMETER:**
 2P + GRD - .21" (5.3mm)
 3P - .29" (7.4mm)
 4P - .28" (7.1mm)
 5P - .28" (7.1mm)
- ELECTRICAL**
 VOLTAGE RATING: 300 V AC/DC
 AMPERAGE:
 2P + GRD - 10A
 3P - 7A
 4P - 5.6A
 5P - 4A
- ENVIRONMENTAL**
 PROTECTION: IEC IP 68, NEMA 6P
 AMBIENT OPERATING TEMP: -4° C to +221° C (-20 to 90° C)
- CERTIFICATIONS**
 UL: UL RECOGNIZED, FILE NO. E46237
 CSA: CSA CERTIFIED, FILE NO. LR6837

RECEPTACLE DIMENSIONS





Receptacles

#18 AWG PVC 12-inch leads – IEC color code, epoxy potted
 Anodized aluminum shell with PG 13.5 mounting thread
 Low-resistance contact design with gold/palladium nickel plating

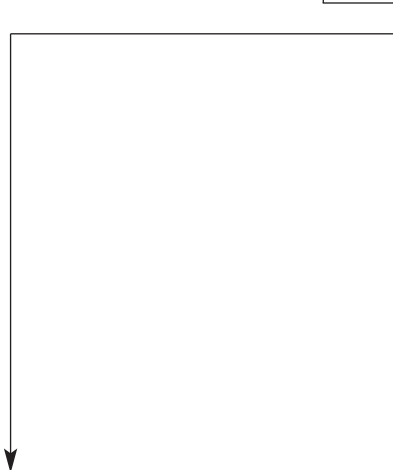
	3P	3P	4P	5P
MALE FACE VIEW				
COLOR CODE	1- green/yellow-gnd 2- brown 3- blue	1- black 2- brown 3- blue	1- black 2- blue 3- brown 4- white	1- black 2- blue 3- green/yellow-gnd 4- brown 5- white
VOLTAGE	300V	300V	300V	300V
CURRENT	10A	7A	5.6A	5.6A
CONDUCTOR	#18-3	#18-3	#18-4	#18-5

MALE	FIG	RECEPTACLES WITH #18 AWG PVC LEADS 12 INCHES LONG			
STRAIGHT	1	1R3D06A25A120	1R3D06A16A120	1R4D06A16A120	1R5D06A25A120
FEMALE	FIG	RECEPTACLES WITH #18 AWG PVC LEADS 12 INCHES LONG			
STRAIGHT	2	1R3D04A25A120	1R3D04A16A120	1R4D04A16A120	1R5D04A25A120

CATALOG OPTIONS

Use the following chart to modify your part's specifications

1R3D06A25A120



CABLE LENGTH

1 METER	M010
2 METER	M020

Specifications



MECHANICAL

SHELL: GRAY ANODIZED ALUMINUM
 INSERT: PVC - UL STD 94 - V0
 CONDUCTORS: #18 AWG, PVC INSULATION OVER
 16 X #30 COPPER STRANDING, 600V,
 UL STYLE 1015, CSA TEW

ELECTRICAL

VOLTAGE RATING: 300 V AC/DC
 AMPERAGE: 2P + GRD - 10A
 3P - 7A
 4P - 5.6A
 5P - 5.6A

ENVIRONMENTAL

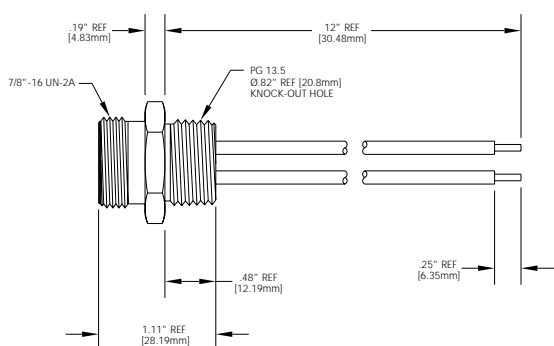
PROTECTION: IP 68, NEMA 6P
 AMBIENT OPERATING TEMP: -4° TO 221° F (-20° TO 105° C)

CERTIFICATIONS

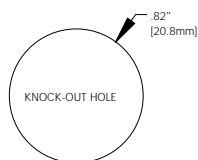
UL: UL RECOGNIZED, FILE NO. E46237
 CSA: CSA CERTIFIED, FILE NO. LR6837

RECEPTACLE DIMENSIONS

MALE STRAIGHT WITH PG 13.5 THREADS



TYPICAL KNOCKOUT



FEMALE FACE VIEW

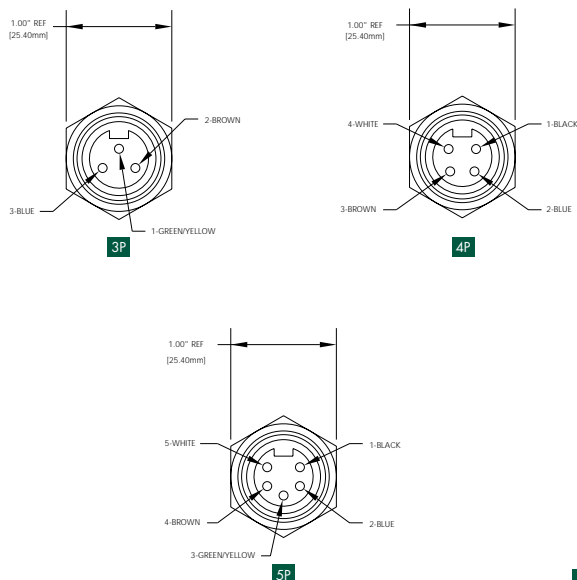
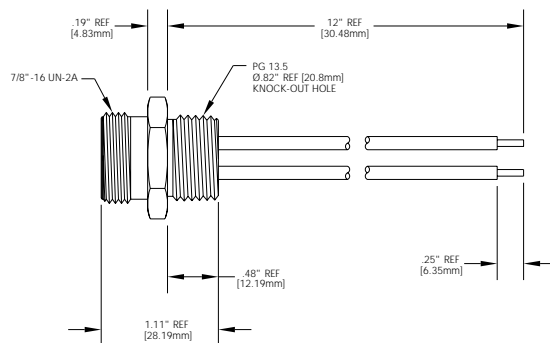


FIG 1

MALE STRAIGHT WITH PG 13.5 THREADS



TYPICAL KNOCKOUT

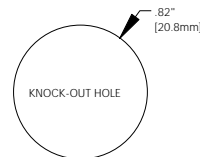


FIG 2