

Single-Ended Cordsets

#16 AWG yellow ST00W cable – U.S. color code

Oil-resistant PVC jacket

Low-resistance contact design with gold/palladium nickel plating

	2P	3P	4P	5P	6P
FEMALE FACE VIEW					
COLOR CODE	1- white 2- black	1- green-gnd 2- black 3- white	1- black 2- white 3- red 4- green-gnd	1- white 2- red 3- green-gnd 4- orange 5- black	1- white 2- red 3- green-gnd 4- orange 5- black 6- blue
VOLTAGE	600V AC/DC	600V AC/DC	600V AC/DC	600V AC/DC	600V AC/DC
CURRENT	13A	13A	10A	8A	8A
CONDUCTOR	#16-2	#16-3	#16-4	#16-5	#16-6

FEMALE	FIG	SINGLE-ENDED CORDSETS WITH #16 AWG ST00W CABLE 3 FEET LONG				
STRAIGHT	1	102000A01F030	103000A01F030	104000A01F030	105000A01F030	106000A01F030
90°	2	102001A01F030	103001A01F030	104001A01F030	105001A01F030	106001A01F030
MATING RECEPTACLE*	5	1R2006A20A120	1R3006A20A120	1R4006A20A120	1R5006A20A120	1R6006A20A130
MALE	FIG	SINGLE-ENDED CORDSETS WITH #16 AWG ST00W CABLE 3 FEET LONG				
STRAIGHT	3	102002A01F030	103002A01F030	104002A01F030	105002A01F030	106002A01F030
90°	4	102003A01F030	103003A01F030	104003A01F030	105003A01F030	106003A01F030
MATING RECEPTACLE*	5	1R2004A20A120	1R3004A20A120	1R4004A20A120	1R5004A20A120	1R6004A20A120

CATALOG OPTIONS

*See Page 46 for additional Mating Receptacles

Use the following chart to modify your part's specifications

102000A01F0301

CABLE LENGTH

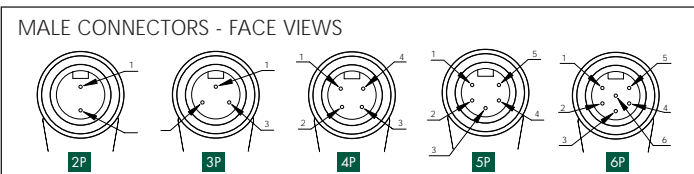
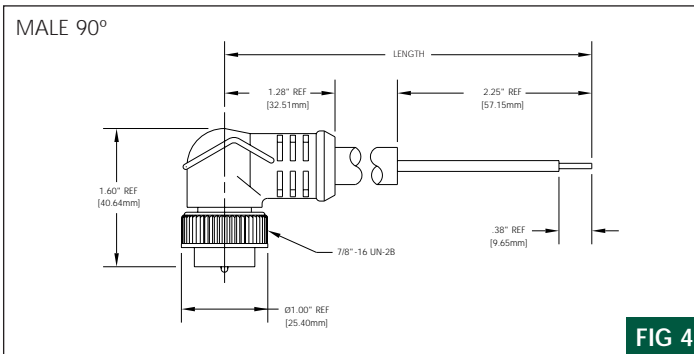
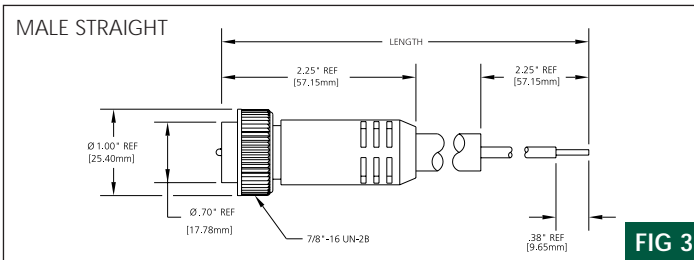
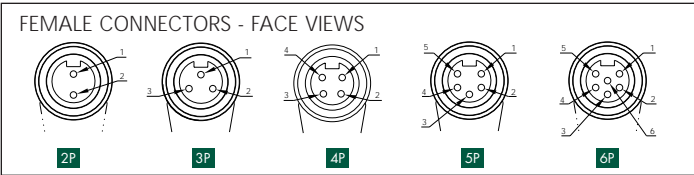
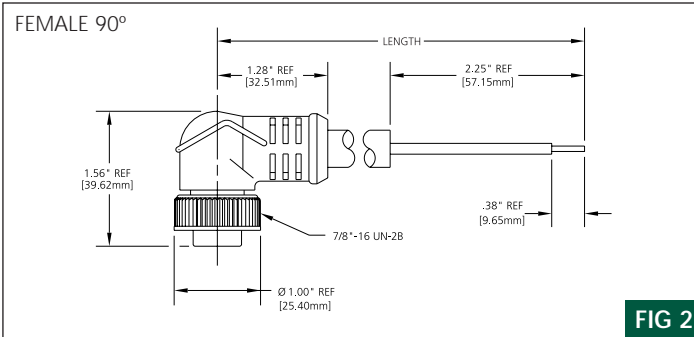
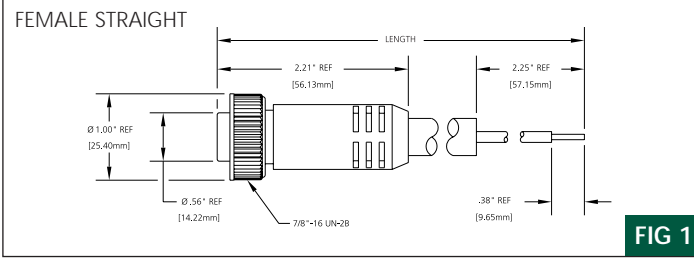
6'	060
12'	120
15'	150
20'	200
25'	250
30'	300

COUPLING NUT

STAINLESS STEEL	...ADD 1
NON-METALLIC	...ADD 2

Specifications

CONNECTOR DIMENSIONS



MECHANICAL
 CONNECTOR FACE: PVC - UL STD 94 - V0
 MOLDED BODY: PVC - UL STD 94 - V0
 COUPLING NUT: ZINC DIECAST W/ BLACK EPOXY

E-COAT, OPTIONAL STAINLESS STEEL TYPE 303 OR NON-METALLIC GRAY NYLON 6/6
CABLE: YELLOW, #16 AWG, PVC JACKET, PVC CONDUCTOR INSULATION OVER 65 X #34 COPPER STRANDING, UL ST00W CSA ST
CABLE DIAMETER:
 2P - .37" (9.4mm)
 3P - .41" (10.4mm)
 4P - .42" (10.7mm)
 5P - .50" (12.7mm)
 6P - .54" (13.7mm)

ELECTRICAL
 VOLTAGE RATING: 600V AC/DC
 AMPERAGE:

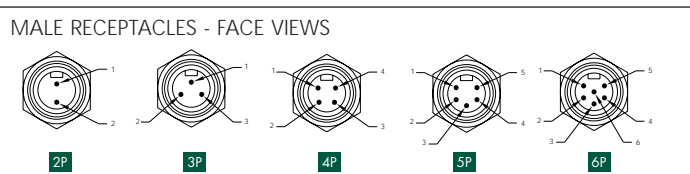
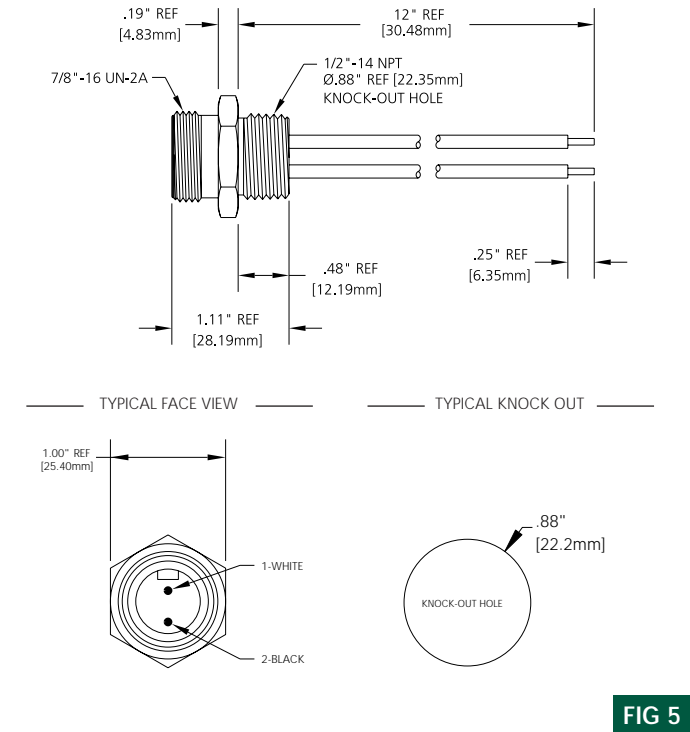
2P - 13A
 3P - 13A
 4P - 10A
 5P - 8A
 6P - 8A

ENVIRONMENTAL
 PROTECTION: IP 68 NEMA 6P
 AMBIENT OPERATING TEMP: -4° TO 221° F (-20° TO 105° C)

CERTIFICATIONS
 UL: UL RECOGNIZED, FILE NO. E46237
 CSA: CSA CERTIFIED, FILE NO. LR6837

RECEPTACLE DIMENSIONS

MALE RECEPTACLE WITH 1/2" - 14NPT THREADS
 FEMALE STRAIGHT WITH 1/2" - 14NPT THREADS
 SEE PAGE 46 FOR ADDITIONAL RECEPTACLES





Double-Ended Cordsets

#16 AWG yellow ST00W cable – U.S. color code
 Oil-resistant PVC jacket
 Low-resistance contact design with gold/palladium nickel plating

	2P	3P	4P	5P	6P
FEMALE FACE VIEW					
COLOR CODE	1- white 2- black	1- green-gnd 2- black 3- white	1- black 2- white 3- red 4- green-gnd	1- white 2- red 3- green-gnd 4- orange 5- black	1- white 2- red 3- green-gnd 4- orange 5- black 6- blue
VOLTAGE	600V AC/DC	600V AC/DC	600V AC/DC	600V AC/DC	600V AC/DC
CURRENT	13A	13A	10A	8A	8A
CONDUCTOR	#16-2	#16-3	#16-4	#16-5	#16-6

FEMALE/MALE	FIG	DOUBLE-ENDED CORDSETS WITH #16 AWG ST00W CABLE 3 FEET LONG				
STRAIGHT/STRAIGHT	1	112020A01F030	113020A01F030	114020A01F030	115020A01F030	116020A01F030
90°/STRAIGHT	2	112021A01F030	113021A01F030	114021A01F030	115021A01F030	116021A01F030
STRAIGHT/90°	3	112022A01F030	113022A01F030	114022A01F030	115022A01F030	116022A01F030
90°/90°	4	112023A01F030	113023A01F030	114023A01F030	115023A01F030	116023A01F030

CATALOG OPTIONS

Use the following chart to modify your part's specifications

112020A01F0301

CABLE LENGTH

6'	060
12'	120
15'	150
20'	200
25'	250
30'	300

COUPLING NUT

STAINLESS STEEL	ADD 1
NON-METALLIC	ADD 2

Specifications



MECHANICAL
 CONNECTOR FACE: PVC - UL STD 94 - V0
 MOLDED BODY: PVC - UL STD 94 - V0
 COUPLING NUT: ZINC DIECAST W/ BLACK EPOXY-COAT, OPTIONAL STAINLESS STEEL TYPE 303 OR NON-METALLIC GRAY NYLON 6/6

CABLE:
 YELLOW, PVC JACKET W/ PVC CONDUCTOR INSULATION, #16 AWG, 65 X #34 STRANDING, UL TYPE ST00W CSA ST

OUTSIDE DIAMETER:
 2P - .37" (9.4mm)
 3P - .41" (10.4mm)
 4P - .42" (10.7mm)
 5P - .50" (12.7mm)
 6P - .54" (13.7mm)

ELECTRICAL
 VOLTAGE RATING: 600V AC/DC
 AMPERAGE:
 2P - 13A
 3P - 13A
 4P - 10A
 5P - 8A
 6P - 8A

ENVIRONMENTAL
 PROTECTION: IP 68, NEMA 6P
 AMBIENT OPERATING TEMP: -4° TO 221° F (-20° TO 105° C)

CERTIFICATIONS
 UL: UL RECOGNIZED, FILE NO. E46237
 CSA: CSA CERTIFIED, FILE NO. LR6837

CONNECTOR DIMENSIONS

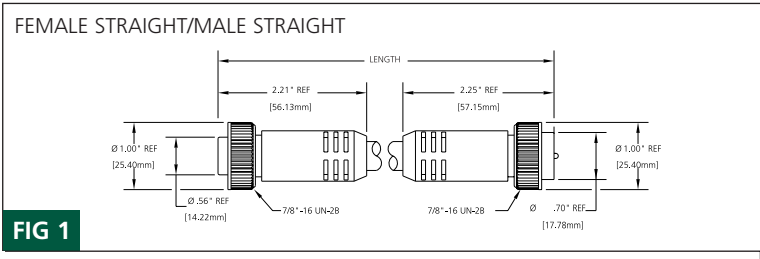


FIG 1

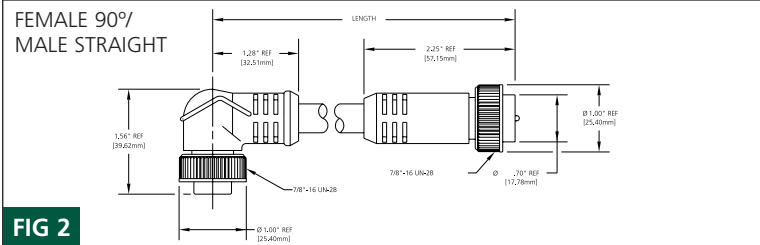


FIG 2

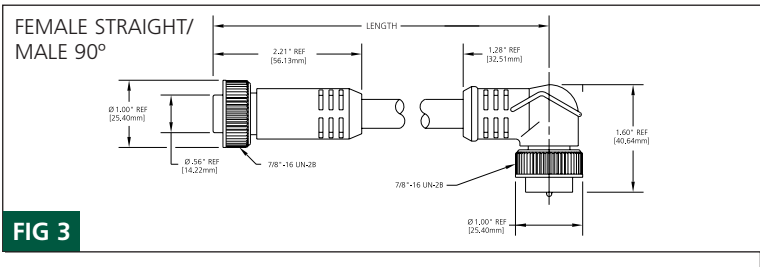


FIG 3

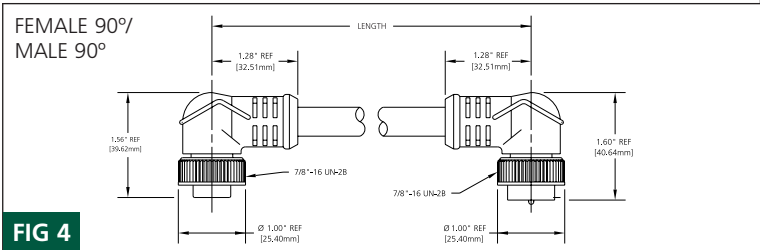


FIG 4

