



In-Line Splitters

Single Keyway M12

#22 AWG yellow PVC cable

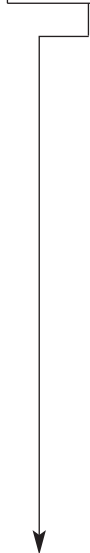
Combines two 3-wire DC sensors into one 4P quick-disconnect cable

| | | 3P | | 4P | |
|------------------|----------------------|---|---------------|----------------------|----------------------|
| FEMALE FACE VIEW | | MALE FACE VIEW | | | |
| PIN SCHEMATIC | 1- V+ 2- not used | 3- V- 4- output 5- not used | PIN SCHEMATIC | 1- V+ 2- output 2 | 3- V- 4- output 1 |
| VOLTAGE | 250V AC/DC | | | | |
| CURRENT | 4A | | | | |
| CONDUCTOR | #22-3 | | | #22-4 | |
| FEMALE | FIG | SPLITTER CORDSETS WITH 2 FEMALE WITH 2 METER CABLE; 1 MALE WITH 3 METER CABLE | | | |
| STRAIGHT | 1 AND 2 | 884F30A09M3M2 | | | |

CATALOG OPTIONS

Use the following chart to modify your part's specifications:

884F30A09M3M2



OPTIONS

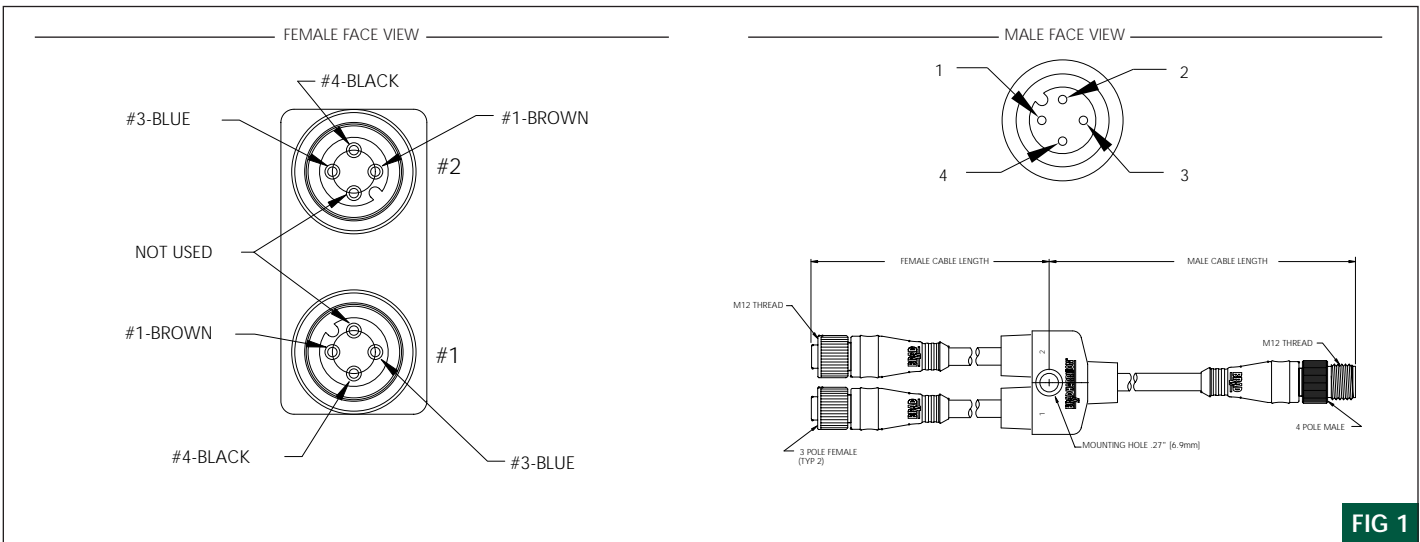
- 2 FEMALE W/ 2 METER CABLE; 1 MALE W/ 4 METER CABLE . . . M4M2
- 2 FEMALE W/ 3 METER CABLE; 1 MALE W/ 4 METER CABLE . . . M4M3
- 2 FEMALE W/ 2 METER CABLE; 1 MALE W/ 8 METER CABLE . . . M8M2

Specifications

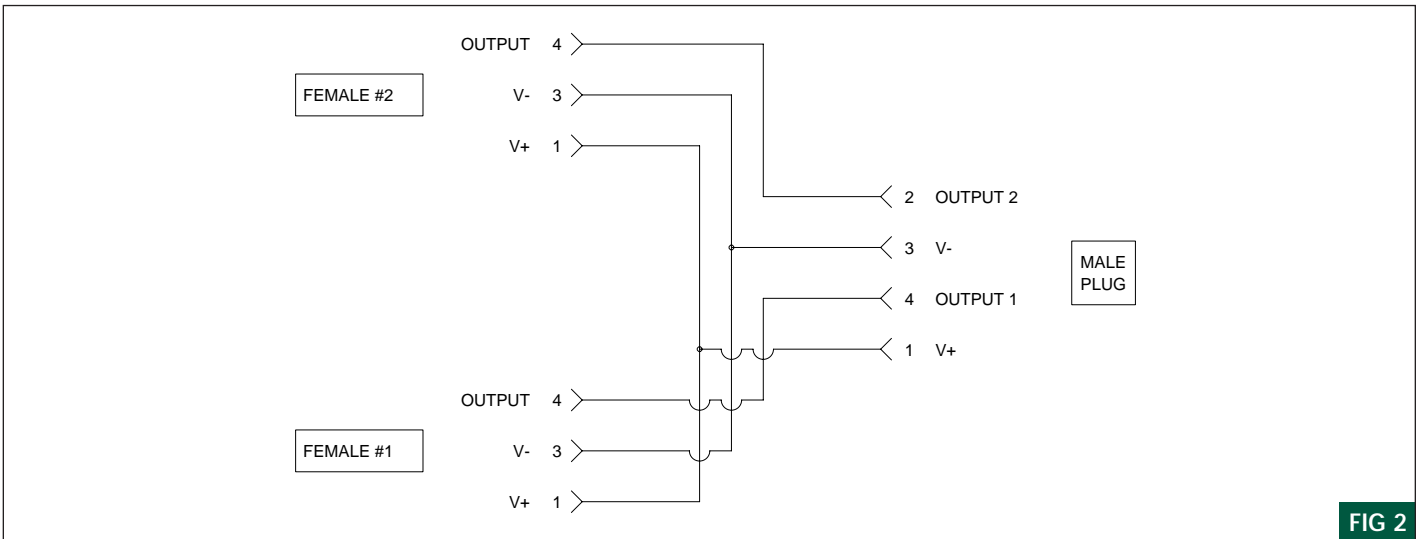


| | |
|-------------------------|--|
| MECHANICAL | |
| CONNECTOR FACE: | NYLON 6/6 |
| PLUG MOLDED BODY: | PVC |
| SPLITTER BODY: | PVC |
| O-RING: | NITRILE RUBBER |
| COUPLING NUT: | ZINC DIECAST W/ BLACK EPOXY COAT |
| CABLE: | YELLOW #22 AWG PVC JACKET AND PVC CONDUCTOR INSULATION OVER 26 X #36 COPPER STRANDING, 300V, UL STYLE 2661, CSA AWM I/II A/B |
| OUTSIDE DIAMETER: | 3P - .20" (5.1mm) 4P - .21" (5.3mm) |
| ELECTRICAL | |
| VOLTAGE RATING: | 250V AC/DC |
| AMPERAGE: | 4P - 4A TOTAL |
| ENVIRONMENTAL | |
| PROTECTION: | IP 68, NEMA 6P |
| AMBIENT OPERATING TEMP: | -4° TO 221° F (-20° TO 105° C) |
| CERTIFICATIONS | |
| UL: | UL LISTED, FILE NO. E152210 |

SPLITTER DIMENSIONS



SCHEMATIC DETAILS





In-Line Splitter

Single Keyway M12

#18 AWG yellow thermoplastic (TPE) elastomer cable
 Combines two 3-wire DC sensors into one 4P male receptacle
 Oil-, chemical- and weld slag-resistant TPE jacket

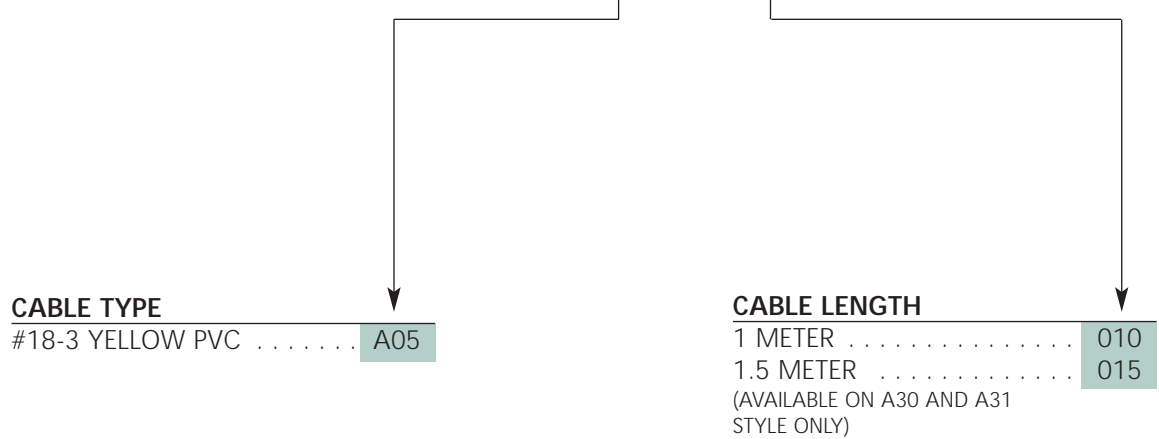
| | 3P | | 4P | |
|------------------|---|--|---|--|
| FEMALE FACE VIEW | | | | |
| PIN SCHEMATIC | 1- v+ 2- not used 3- v- 4- output 5- not used | | PIN SCHEMATIC 1- v+ 2- output B 3- v- 4- output A | |
| VOLTAGE | 250 V AC/DC | | | |
| CURRENT | 4A | | | |
| CONDUCTOR | #18-3 | | 4P Male M12 Connection | |

| FEMALE | FIG | SPLITTER CORDSET WITH (2) FEMALE LEADS #18 AWG TPE CABLE .3M (11.8") LONG |
|----------|---------|---|
| STRAIGHT | 1 AND 5 | 884A30K03M003 |
| 90° | 2 AND 5 | 884A31K03M003 |
| FEMALE | FIG | SPLITTER CORDSET WITH (2) FEMALE LEADS #18 AWG YELLOW TPE CABLE (1) 7" LONG A OUTPUT (1) 9" LONG B OUTPUT |
| STRAIGHT | 3 AND 5 | 884B30K03A090 |
| 90° | 4 AND 5 | 884B31K03A090 |

CATALOG OPTIONS

Use the following chart to modify your part's specifications

884A30K03M003



Specifications

SPLITTER DIMENSIONS

(2) FEMALE STRAIGHT/(1) MALE STRAIGHT

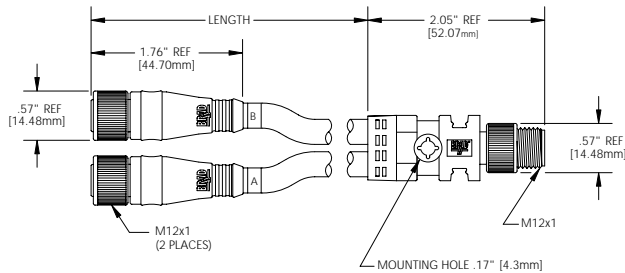


FIG 1

(2) FEMALE 90°/ (1) MALE STRAIGHT

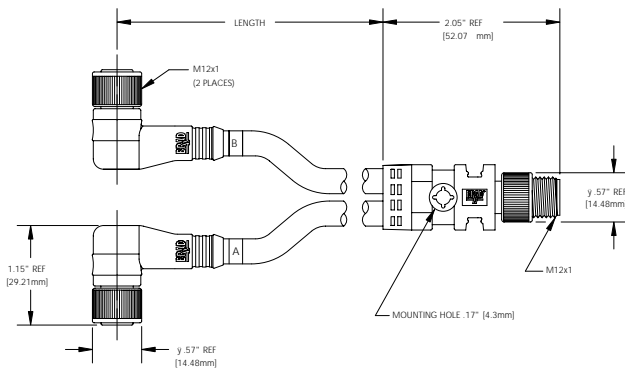


FIG 2

(2) FEMALE STRAIGHT/
(1) MALE STRAIGHT

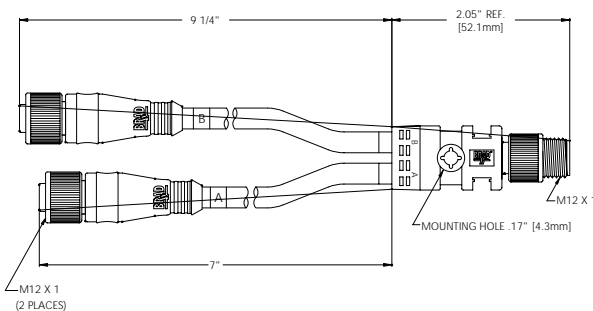


FIG 3



- MECHANICAL**
 CONNECTOR FACE: NYLON 6/6
 PLUG MOLDED BODY: PVC
 SPLITTER BODY: PVC
 O-RING: NITRILE RUBBER
 COUPLING NUT: ZINC DIECAST W/ BLACK EPOXY COAT
 CABLE: YELLOW #18 AWG TPE JACKET AND PVC CONDUCTOR INSULATION OVER 41 X #34 COPPER STRANDING, 300V, UL STYLE 2661, CSA AWM I/II A/B 4P - .28" (7.1mm)
- OUTSIDE DIAMETER:**
ELECTRICAL
 VOLTAGE RATING: 250V AC/DC
 AMPERAGE: 4P - 4A TOTAL
- ENVIRONMENTAL**
 PROTECTION: IP 68, NEMA 6P
 AMBIENT OPERATING TEMP: -4° TO 221° F (-20° TO 105° C)
- CERTIFICATIONS**
 UL: UL LISTED, FILE NO. E152210

(2) FEMALE 90°/(1) MALE STRAIGHT

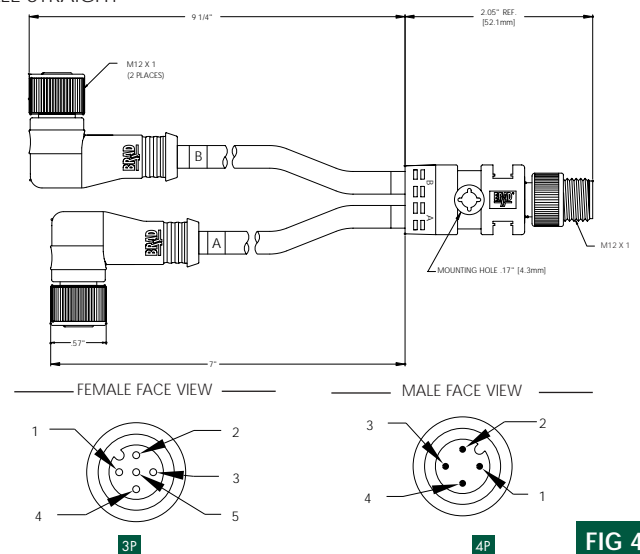


FIG 4

SCHEMATIC DETAILS

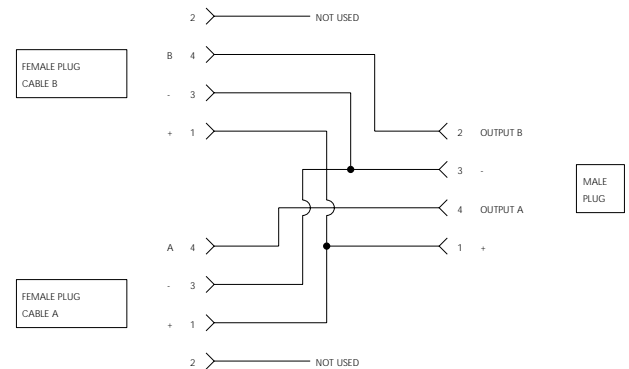


FIG 5



Solid Body Splitter

Single Keyway M12

Rugged yellow or black PVC solid body design
 Compact design saves space
 Choice of two wiring schematics

| NEW | 3P | | 4P | |
|------------------|-------------------------------|--------------------------|----------------|--|
| FEMALE FACE VIEW | | | MALE FACE VIEW | |
| PIN SCHEMATIC | 1- v+ 2- not used 3- v- | 4- output 5- not used | PIN SCHEMATIC | 1- v+ 2- output 2 3- v- 4- output 1 |
| VOLTAGE | 250V AC/DC | | | |
| CURRENT | 4A | | | |

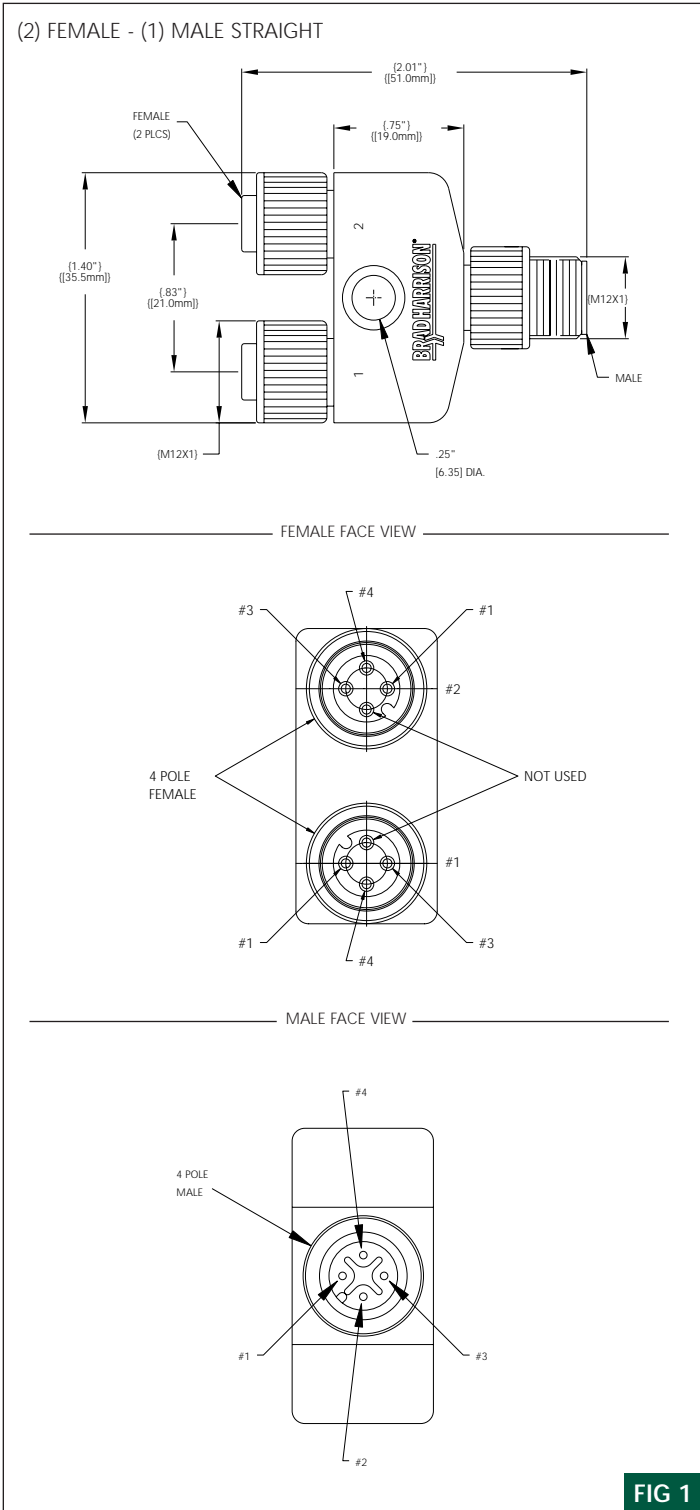
| CONNECTIONS | FIG | PVC BODY COLOR | SOLID BODY SPLITTER WITH (2) 3P FEMALE CONNECT AND (1) 4P MALE CONNECTION |
|------------------------------|---------------|----------------|--|
| MALE M12 & (2) FEMALE M12 | 1 AND 2 | Yellow | 81594 |
| MALE M12 & (2) FEMALE M12 | 1 AND 3 | Black | 81589 |

Specifications

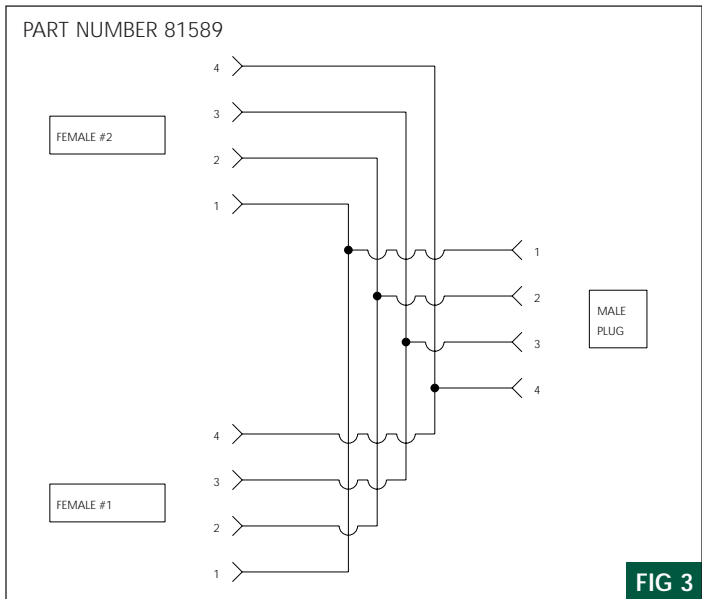
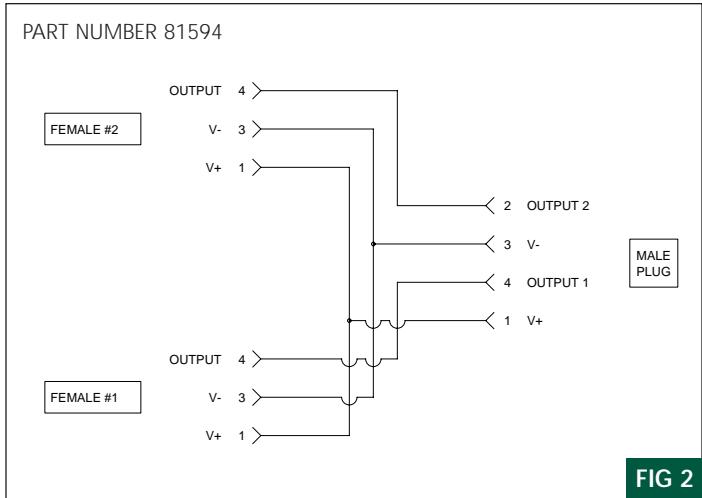


- MECHANICAL**
- CONNECTOR FACE: NYLON 6/6
- SPLITTER BODY: PVC
- O-RING: NITRILE RUBBER
- COUPLING NUT: ZINC DIECAST W/ BLACK EPOXY COAT
- ELECTRICAL**
- VOLTAGE RATING: 250V AC/DC
- AMPERAGE: 4P - 4A TOTAL
- ENVIRONMENTAL**
- PROTECTION: IP 68, NEMA 6P
- AMBIENT OPERATING TEMP: -4° TO 221° F (-20° TO 105° C)
- CERTIFICATIONS**
- CSA: CSA CERTIFIED, FILE NO LR6837

DIMENSIONS



SCHEMATIC DETAILS





Tee Splitter

Single Keyway M12 & Dual Keyway 1/2" - 20 UNF

#22 AWG yellow PVC cable with metallic braid

Combines two 3-wire devices into one 4P conductor cable

5 lengths available in both single keyway and dual keyway

| | 3P | | 3P | |
|------------------|-----------------------------------|--|-------------|---|
| FEMALE FACE VIEW | | | | |
| WIRING CODE | 1- brown 2- not use 3- blue | 4- J1 black J2 white 5- not used | WIRING CODE | 1- green 2- J1 red/black trace J2 red 3- red/white trace |
| VOLTAGE | 250V AC/DC | | | |
| CURRENT | 4A | | | |
| CONDUCTOR | #22 - 4 | | | |

| SINGLE KEYWAY M12 | | | DUAL KEYWAY 1/2" - 20 UNF | | |
|-------------------|---------------|--|---------------------------|---------------|--|
| LEAD LENGTH | FIG | SPLITTER CORDSET WITH #22 AWG YELLOW PVC CABLE WITH BRAID | LEAD LENGTH | FIG | SPLITTER CORDSET WITH #22 AWG YELLOW PVC CABLE WITH BRAID |
| 1 METER | 1 AND 3 | 80350-001 | 3 FEET | 2 AND 4 | 70355-001 |
| 2 METER | 1 AND 3 | 80350-002 | 6 FEET | 2 AND 4 | 70355-002 |
| 4 METER | 1 AND 3 | 80350-003 | 12 FEET | 2 AND 4 | 70355-003 |
| 5 METER | 1 AND 3 | 80350-004 | 20 FEET | 2 AND 4 | 70355-004 |
| 10 METER | 1 AND 3 | 80350-005 | 40 FEET | 2 AND 4 | 70355-005 |

Specifications

DIMENSIONS

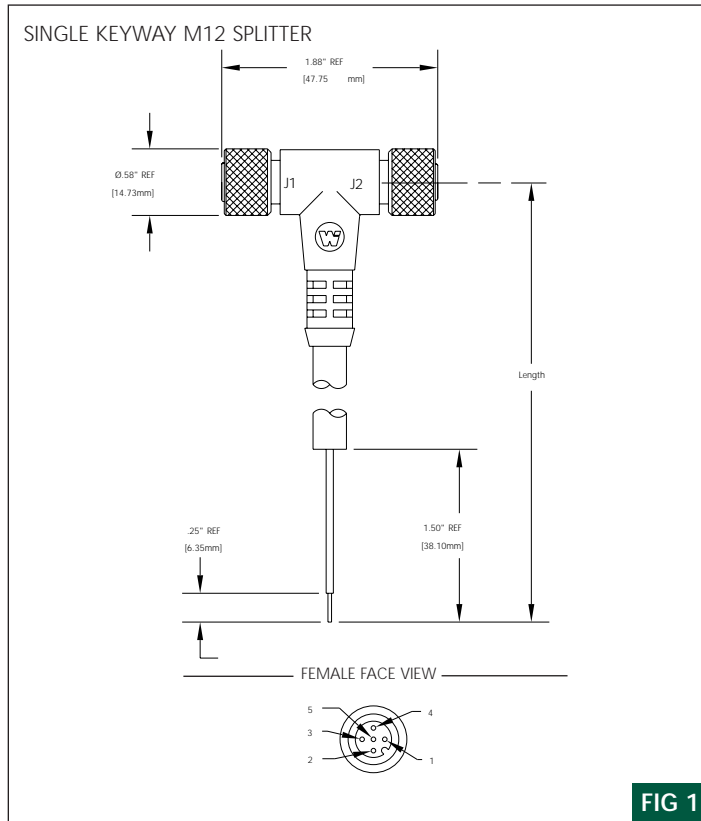


FIG 1

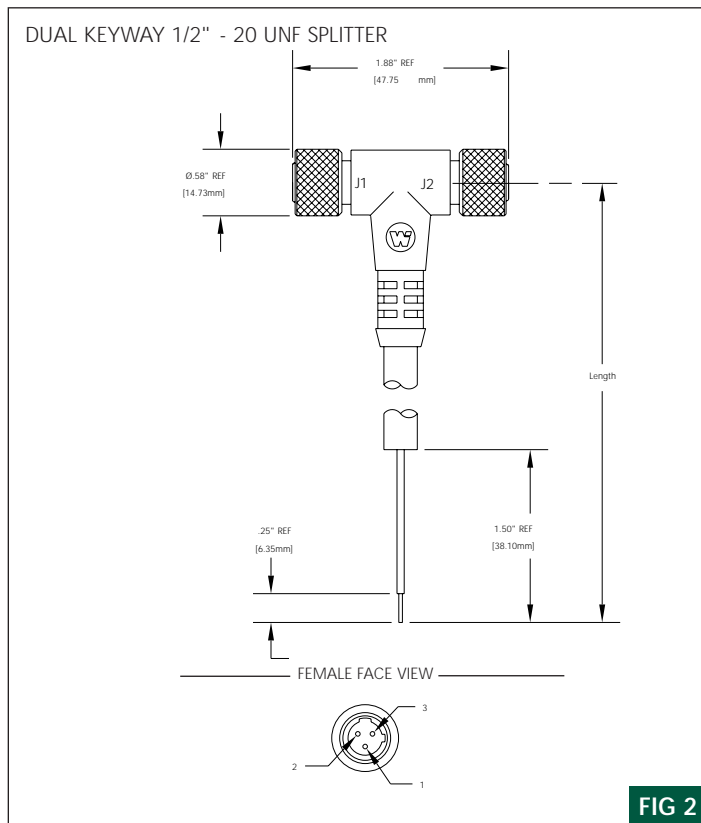


FIG 2



- MECHANICAL**
- CONNECTOR FACE: NYLON 6/6
- MOLDED BODY: PVC
- O-RING: NITRILE RUBBER
- COUPLING NUT: ZINC DIECAST W/ BLACK EPOXY COAT
- CABLE: YELLOW #22 PVC JACKET 80% METALLIC BRAID AND PVC CONDUCTOR INSULATION OVER 26 X #36 COPPER STRANDING, 300V, UL STYLE 2661 CSA AWM I/II A/B 4P - .25" (6.4mm)
- OUTSIDE DIAMETER: 6.4mm
- ELECTRICAL**
- VOLTAGE RATING: 250 V AC/DC
- AMPERAGE: 4P CABLE - 4A TOTAL
- ENVIRONMENTAL**
- PROTECTION: IP 68, NEMA 6P
- AMBIENT OPERATING TEMP: -4° TO 221° F (-20° TO 105° C)
- CERTIFICATIONS**
- UL: UL LISTED, FILE NO. E152210
- CSA: CSA CERTIFIED, FILE NO LR6837
- SINGLE KEYWAY ONLY

SCHEMATIC DETAILS

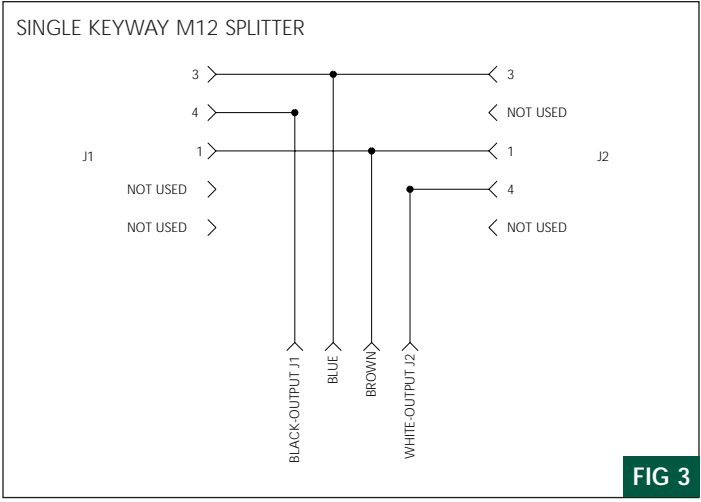


FIG 3

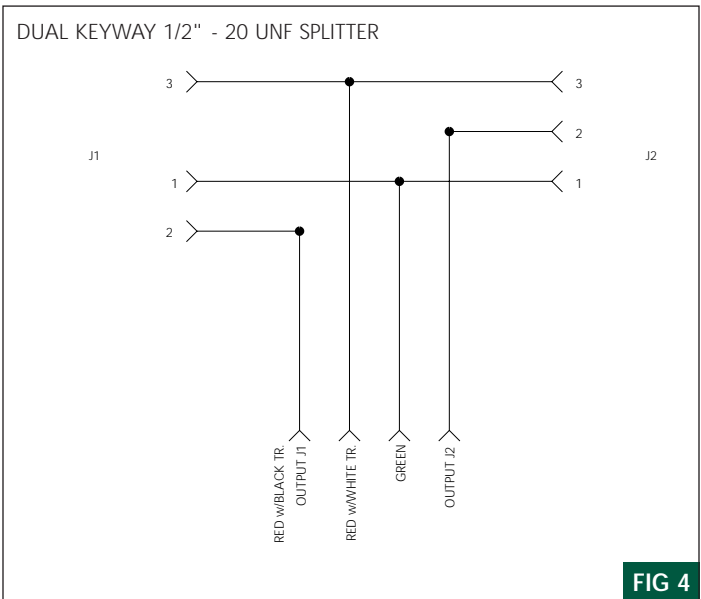


FIG 4



In-Line Splitter

Dual Keyway 1/2" - 20 UNF

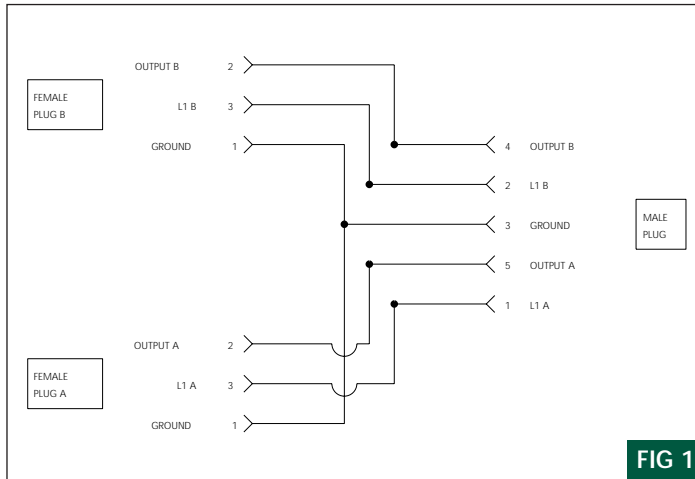
#18 AWG yellow thermoplastic (TPE) elastomer cable
 Combines two 3-wire AC devices into one 5P male receptacle
 Oil-, chemical- and weld slag-resistant TPE jacket

| NEW | 3P | | 5P | |
|------------------|---|--|--------------------------------|--|
| FEMALE FACE VIEW | | | MALE FACE VIEW | |
| PIN SCHEMATIC | 1- gnd 2- output A & B 3- L1A & L1B | | PIN SCHEMATIC | 1- L1A 2- L1B 3- gnd 4- output B 5- output A |
| VOLTAGE | 250V AC/DC | | | |
| CURRENT | 4A | | | |
| CONDUCTOR | #18-3 | | 5P Male Dual Keyway Connection | |

| | | | |
|----------|---------|---|--|
| FEMALE | FIG | SPLITTER CORDSET WITH (2) 3P FEMALE LEADS #18 AWG YELLOW TPE CABLE 1 FOOT LONG | |
| STRAIGHT | 2 AND 3 | 775A30K02F010 | |
| FEMALE | FIG | SPLITTER CORDSET WITH (2) FEMALE LEADS #18 AWG YELLOW TPE CABLE (1) 7" LONG OUTPUT A (1) 9" | |
| STRAIGHT | 1 AND 3 | 775B30K02A090 | |

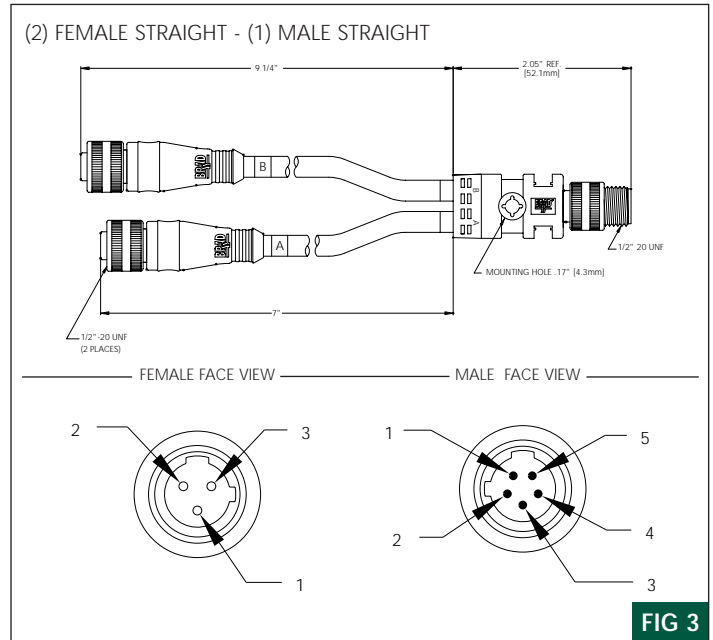
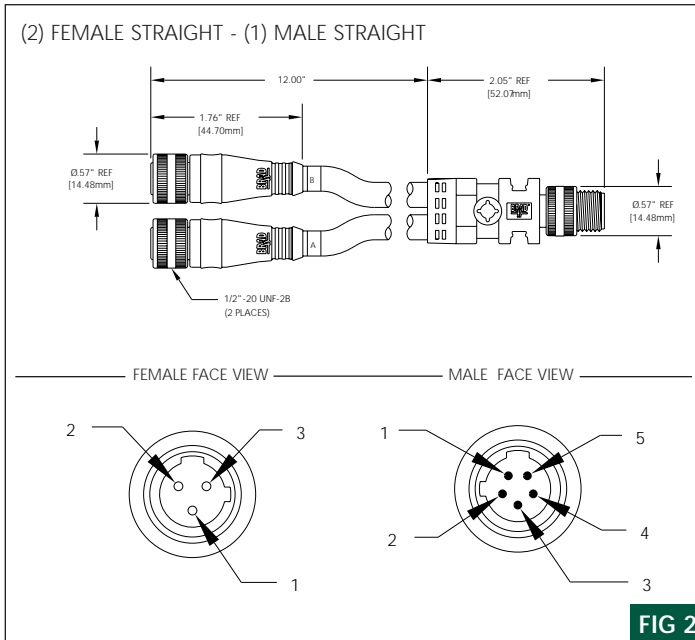
Specifications

SCHEMATIC DETAILS



- MECHANICAL**
 CONNECTOR FACE: NYLON 6/6
 PLUG MOLDED BODY: PVC
 SPLITTER BODY: PVC
 O-RING: NITRILE RUBBER
 COUPLING NUT: ZINC DIECAST W/ BLACK EPOXY COAT
 CABLE: YELLOW #18 AWG THERMOPLASTIC ELASTOMER (TPE) JACKET AND PVC CONDUCTOR INSULATION OVER 4 X #34 COPPER STRANDING, 300V, UL STYLE 20327, CSA AWM I/II A/B 3P - .26" (6.6mm)
- ELECTRICAL**
 VOLTAGE RATING: 250V AC/DC
 AMPERAGE: 5P - 4A TOTAL
- ENVIRONMENTAL**
 PROTECTION: IP 68, NEMA 6P
 AMBIENT OPERATING TEMP: -4° F TO 221° F (-20° TO 105° C)
- CERTIFICATIONS**
 UL: UL LISTED, FILE NO. E152210

SPLITTER DIMENSIONS



CHEMICAL & OIL RESISTANCE CHART - TPE CABLE

| ACIDS & BASES | PERFORMANCE | OILS & FUELS | PERFORMANCE |
|------------------------|-------------|------------------------|-------------|
| SULFURIC ACID 30% | EXCELLENT | ASTM OIL 1, 2, OR 3 | EXCELLENT |
| NITRIC ACID 10% | EXCELLENT | TRIMSOL | EXCELLENT |
| SODIUM HYDROXIDE 10% | EXCELLENT | SIMEOL | EXCELLENT |
| AMMONIUM HYDROXIDE 10% | EXCELLENT | MOBIL OIL DTE 24 OR 26 | EXCELLENT |
| HYDROCHLORIC ACID 20% | EXCELLENT | KEROSENE | EXCELLENT |
| GLACIAL ACIDIC ACID | GOOD | TRANSFORMER OIL | GOOD |