

3P & 4P



Receptacles

Reverse Keyway M12

#22 AWG PVC 12 inch leads, fully epoxy potted
 Black anodized aluminum shell
 Used in control panels, junction boxes and sensors

	3P	4P
MALE FACE VIEW		
COLOR CODE	1- brown 2- blue 3- not used 4- green/yellow - gnd	1- brown 2- blue 3- black 4- green/yellow - gnd
VOLTAGE	250V AC/DC	250V AC/DC
CURRENT	4A	3A
CONDUCTOR	#22-3	#22-4

MALE	FIG	RECEPTACLES WITH #22 AWG PVC LEADS 12 INCHES LONG	
M14 X1 THREAD	1	BR3E06A26A120	BR4E06A26A120

CATALOG OPTIONS

Use the following chart to modify your part's specifications

BR3E06A26A120

LEAD LENGTH
 2 METER M020

Specifications



MECHANICAL

SHELL: BLACK ANODIZED ALUMINUM
 INSERT: NYLON 6/6
 O-RING: NITRILE RUBBER
 CONDUCTOR: #22 AWG WITH PVC INSULATION OVER
 26 X #36 COPPER STRANDING, 300V,
 UL STYLE 1061, CSA AWM SR OUTSIDE

ELECTRICAL

VOLTAGE RATING: 250V AC/DC
 AMPERAGE: 3P - 4A
 4P - 4A

ENVIRONMENTAL

PROTECTION: IP 68, NEMA 6P
 AMBIENT OPERATING TEMP: 14° TO 176° F (-10° TO 80° C)

CERTIFICATIONS

UL: UL LISTED, FILE NO. E152210
 CSA: CSA CERTIFIED, FILE NO LR6837

RECEPTACLE DIMENSIONS

MALE RECEPTACLE WITH EXTERNAL THREADS
 AND M14 X 1 THREADS

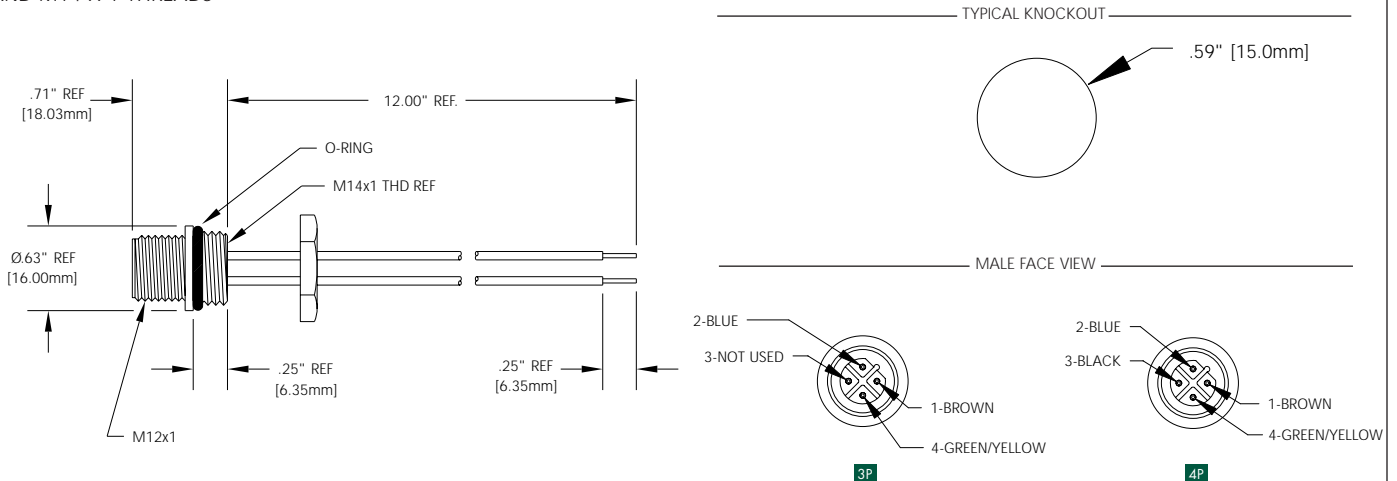


FIG 1