



# Single-Ended Cordsets

## 360° Shield Single Keyway M12

#22 AWG black PVC cable with braid shield and drain – DC color code  
 Oil-resistant PVC jacket  
 For use in high EMI and RFI environments

<b>NEW</b>	<b>3P</b>	<b>4P</b>	<b>5P</b>
<b>FEMALE FACE VIEW</b>			
<b>COLOR CODE</b>	1- brown 2- not used 3- blue 4- black 5- not used Coupling nut - drain	1- brown 2- white 3- blue 4- black 5- not used Coupling nut - drain	1- brown 2- white 3- blue 4- black 5- gray Coupling nut - drain
<b>VOLTAGE</b>	250V AC/DC	250V AC/DC	250V AC/DC
<b>CURRENT</b>	4A	4A	4A
<b>CONDUCTOR</b>	#22-3 + #22 Drain**	#22-4 + #22 Drain**	#22-5 + #22 Drain**

FEMALE	FIG	SINGLE - ENDED CORDSETS WITH #22 AWG PVC CABLE - WITH SHIELD 2 METERS LONG		
STRAIGHT	1	803S00D04M020	804S00D04M020	805S00D04M020
90°	2	803S01D04M020	804S01D04M020	805S01D04M020
MATING RECEPTACLE*	5	8R3006A18M0033	8R4006A18M0033	8R5006A18M0033
MALE	FIG	SINGLE - ENDED CORDSETS WITH #22 AWG PVC CABLE - WITH SHIELD 2 METERS LONG		
STRAIGHT	3	803S06D04M020	804S06D04M020	805S06D04M020
90°	4	803S07D04M020	804S07D04M020	805S07D04M020
MATING RECEPTACLE*	6	8R3A00A18M0033	8R4A00A18M0033	8R5A00A18M0033

### CATALOG OPTIONS

\*See Page 142 for additional Mating Receptacles  
 \*\* Electrical continuity exists from coupling nut to drain conductor

Use the following chart to modify your part's specifications

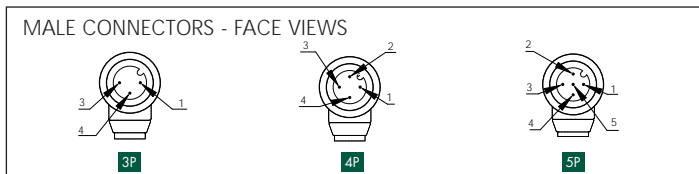
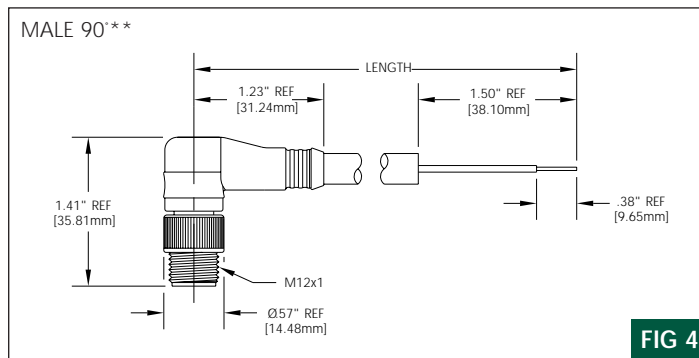
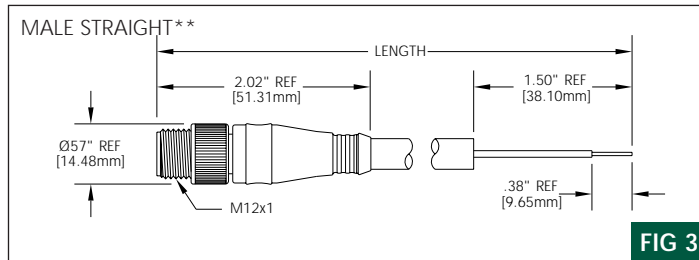
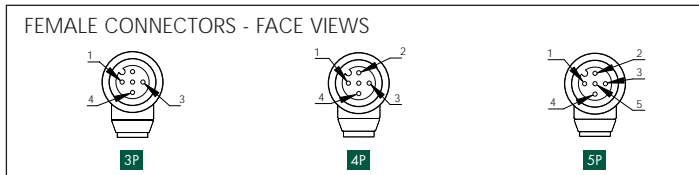
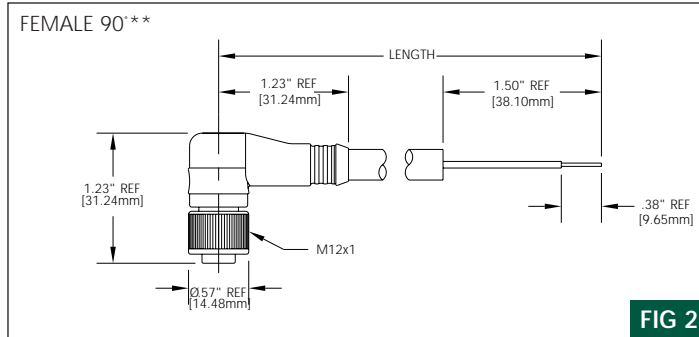
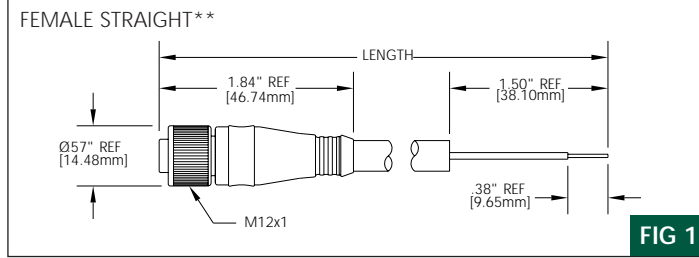
**803S00D04M020**

**CABLE LENGTH**

4 METER	040
5 METER	050

# Specifications

## CONNECTOR DIMENSIONS



**MECHANICAL**  
 CONNECTOR FACE: POLYBUTYLENE TEREPHTHALATE (PBT)  
 MOLDED BODY: PBT  
 O-RING: NITRILE RUBBER  
 COUPLING NUT: NICKEL PLATED BRASS  
 CABLE: BLACK #22 AWG PVC JACKET 80% METALLIC BRAID SHIELD WITH DRAIN WIRE AND PVC CONDUCTOR INSULATION OVER 26 X #36 COPPER STRANDING, 300V, UL STYLE 2661, CSA AWM I/II A/B

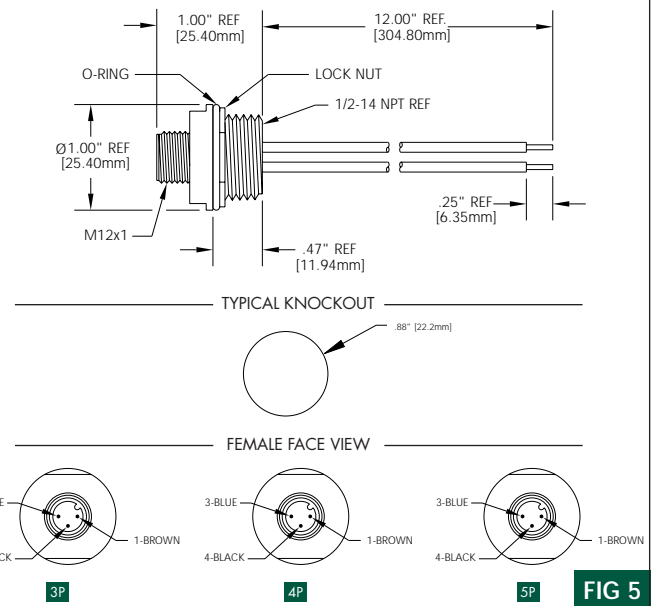
**OUTSIDE DIAMETER:**  
 3P - .26" (6.6mm)  
 4P - .28" (7.1mm)  
 5P - .30" (7.6mm)

**ELECTRICAL**  
 VOLTAGE RATING: 250V AC/DC  
 AMPERAGE:  
 3P - 4A  
 4P - 4A  
 5P - 4A

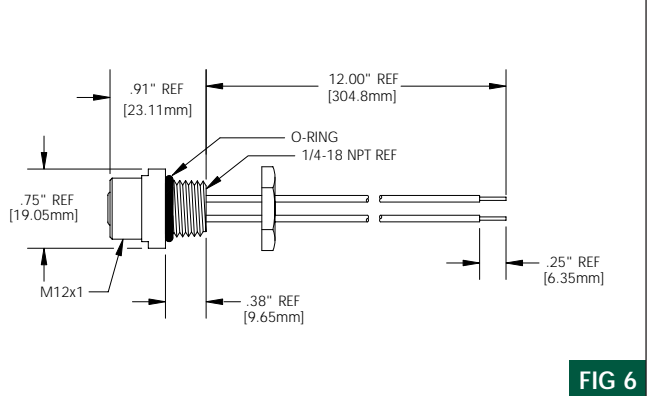
**ENVIRONMENTAL**  
 SHIELD EFFECTIVENESS RATING: 70.4dB AVERAGE FROM 0-320 MHz  
 PROTECTION: IP 68, NEMA 6P  
 AMBIENT OPERATING TEMP: -4° TO 221° F (-20° TO 105° C)  
**CERTIFICATIONS**  
 CSA: CSA CERTIFIED, FILE NO LR6837

## RECEPTACLE DIMENSIONS

### MALE RECEPTACLE WITH EXTERNAL THREADS AND 1/2" - 14NPT THREADS



### FEMALE RECEPTACLE WITH INTERNAL THREADS AND 1/4" - 18NPT THREADS



\*\* Electrical continuity exists from coupling nut to drain conductor



# Double-Ended Cordsets

## 360° Shield Single Keyway M12

#22 AWG black PVC cable with braid shield and drain – DC color code  
 Oil-resistant PVC jacket  
 For use in high EMI and RFI environments

<b>NEW</b>	<b>3P</b>	<b>4P</b>	<b>5P</b>
<b>FEMALE FACE VIEW</b>			
<b>COLOR CODE</b>	1- brown 2- not used 3- blue 4 -black 5- not used Coupling nut - drain	1- brown 2- white 3- blue 4 -black 5- not used Coupling nut - drain	1- brown 2- white 3- blue 4 -black 5- gray Coupling nut - drain
<b>VOLTAGE</b>	250V AC/DC	250V AC/DC	250V AC/DC
<b>CURRENT</b>	4A	4A	4A
<b>CONDUCTOR</b>	#22-3 + #22 Drain**	#22-4 + #22 Drain**	#22-5 + #22 Drain**

FEMALE/MALE	FIG	<b>DOUBLE - ENDED CORDSETS WITH #22 AWG PVC CABLE WITH SHIELD 2 METERS LONG</b>		
STRAIGHT/ STRAIGHT	1	883S30D04M020	884S30D04M020	885S30D04M020
STRAIGHT/ 90°	2	883S32D04M020	884S32D04M020	885S32D04M020

### CATALOG OPTIONS

\*See Page 142 for additional Mating Receptacles  
 \*\* Electrical continuity exists from coupling nuts to drain conductor

Use the following chart to modify your part's specifications

# 883S30D04M020

**CABLE LENGTH**

4 METER .....	040
5 METER .....	050

# Specifications



**MECHANICAL**  
 CONNECTOR FACE: POLYBUTYLENE TEREPHTHALATE (PBT)  
 MOLDED BODY: PBT  
 O-RING: NITRILE RUBBER  
 COUPLING NUT: NICKEL PLATED BRASS  
 CABLE: BLACK #22 AWG PVC JACKET 80% METALLIC BRAID SHIELD WITH DRAIN WIRE AND PVC CONDUCTOR INSULATION OVER 26 X #36 COPPER STRANDING, 300V, UL STYLE 2661, CSA AWM I/II A/B

OUTSIDE DIAMETER:  
 3P - .26" (6.6mm)  
 4P - .28" (7.1mm)  
 5P - .30" (7.6mm)

**ELECTRICAL**  
 VOLTAGE RATING: 250V AC/DC  
 AMPERAGE:  
 3P - 4A  
 4P - 4A  
 5P - 4A

**ENVIRONMENTAL**  
 SHIELD EFFECTIVENESS RATING: 70.4dB AVERAGE FROM 0-320 MHz  
 PROTECTION: IP 68, NEMA 6P  
 AMBIENT OPERATING TEMP: -4° TO 221° F (-20° TO 105° C)  
**CERTIFICATIONS**  
 CSA: CSA CERTIFIED, FILE NO LR6837

## CONNECTOR DIMENSIONS

FEMALE STRAIGHT/MALE STRAIGHT\*

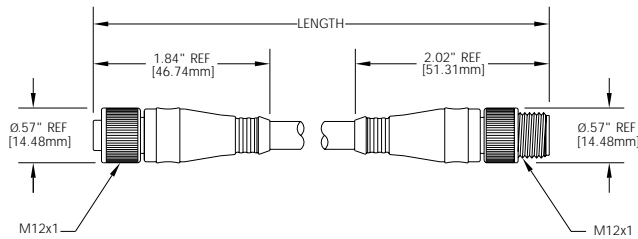
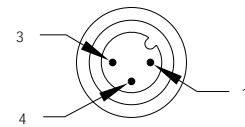
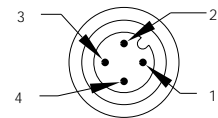


FIG 1

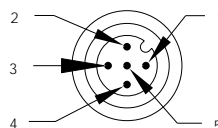
MALE FACE VIEW



3P



4P



5P

FEMALE STRAIGHT/MALE 90°\*

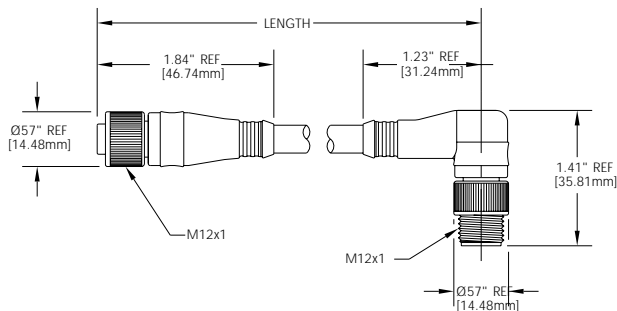


FIG 2

\*Electrical continuity exists from coupling nut to coupling nut through the drain conductor.

3P to 5P



# Receptacles

## 360° Shield Single Keyway M12

#22 AWG PVC 12 inch leads – DC color code, epoxy potted  
 Bright nickel-plated brass shell  
 For use with 360° shielded single keyway M12 cordsets

<b>NEW</b>	<b>3P</b>	<b>4P</b>	<b>5P</b>
<b>MALE FACE VIEW</b>			
<b>COLOR CODE</b>	1- brown 3- blue 4- black	1- brown      3- blue 2- white      4- black	1- brown      4- black 2- white      5- gray 3- blue
<b>VOLTAGE</b>	250V AC/DC	250V AC/DC	250V AC/DC
<b>CURRENT</b>	4A	4A	4A
<b>CONDUCTOR</b>	#22-3	#22-4	#22-5

<b>TYPE</b>	<b>FIG</b>	<b>RECEPTACLES WITH #22 AWG PVC LEADS 12 INCHES LONG</b>		
MALE 1/2" - 14 NPT THREDS	2	8R3006A18M0033	8R4006A18M0033	8R54006A18M0033
FEMALE 1/4" - 18 NPT THREDS	1	8R3A00A18M0033	8R4A00A18M0033	8R5A00A18M0033

# Specifications



**MECHANICAL**

SHELL: NICKEL-PLATED BRASS  
 INSERT: NYLON 6/6  
 O-RING: NITRILE RUBBER  
 CONDUCTOR: #22 AWG WITH PVC INSULATION  
 OVER 26 X #36 COPPER STRANDING,  
 300V, UL STYLE 1061, CSA AWM SR

**ELECTRICAL**

VOLTAGE RATING: 250V AC/DC  
 AMPERAGE: 3P - 4A  
 4P - 4A  
 5P - 4A

**ENVIRONMENTAL**

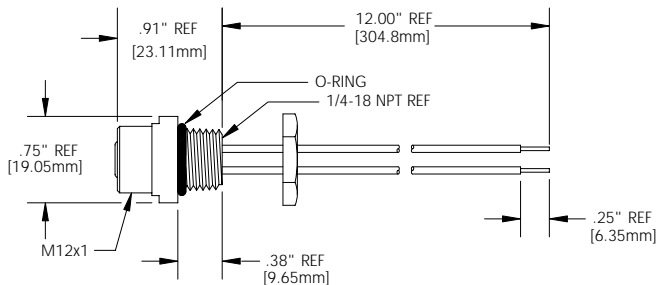
PROTECTION: IP 68, NEMA 6P  
 AMBIENT OPERATING TEMP: -4° TO 221° F (-20° TO 105° C)

**CERTIFICATIONS**

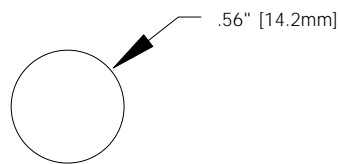
UL: UL LISTED, FILE NO. E152210  
 CSA: CSA CERTIFIED, FILE NO LR6837

## RECEPTACLE DIMENSIONS

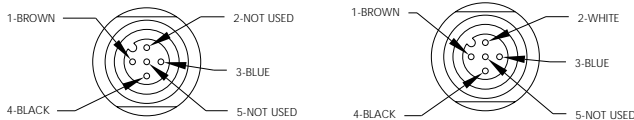
FEMALE RECEPTACLE WITH INTERNAL THREADS AND 1/4" - 18NPT THREADS



TYPICAL KNOCKOUT



FEMALE FACE VIEW



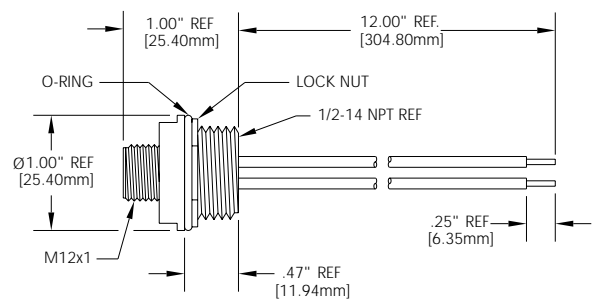
3P

4P

5P

FIG 1

MALE RECEPTACLE WITH EXTERNAL THREADS AND 1/2" - 14NPT THREADS



TYPICAL KNOCKOUT

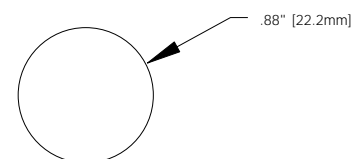


FIG 2