

Single-Ended Cordsets

Dual Keyway 1/2" - 20 UNF

AUTOMOTIVE

#22 AWG yellow PVC cable with metallic braid – auto color code
 #18 AWG yellow PVC cable without metallic braid – auto color code
 Low-resistance contact design with gold/palladium nickel plating

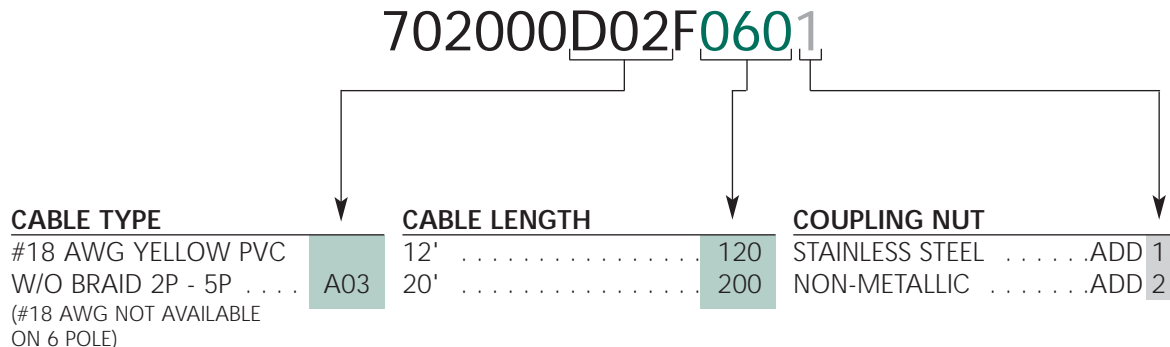
	2P	3P	4P	5P	6P
FEMALE FACE VIEW					
COLOR CODE	1- brown 2- blue	1- green - gnd 2- red - black trace 3- red - white trace	1- red - black trace 2- red - white trace 3- red 4- green - gnd	1- red - white trace 2- red 3- green - gnd 4- red - yellow trace 5- red - black trace	1- red - white trace 2- red 3- green - gnd 4- red - yellow trace 5- red - black trace 6- red - blue trace
VOLTAGE	250V AC/DC	250V AC/DC	250V AC/DC	250V AC/DC	250V AC/DC
CURRENT	4A	4A	4A	4A	4A
CONDUCTOR	#22-2	#22-3	#22-4	#22-5	#22-6

FEMALE	FIG	SINGLE - ENDED CORDSETS WITH #22 AWG PVC CABLE WITH BRAID 6 FEET LONG				
STRAIGHT	1	702000D02F060	703000D02F060	704000D02F060	705000D02F060	706000D02F060
90°	2	702001D02F060	703001D02F060	704001D02F060	705001D02F060	706001D02F060
MATING RECEPTACLE*	5	7R2006A19A120	7R3006A19A120	7R4006A19A120	7R5006A19A120	7R6006A19A120
MALE	FIG	SINGLE - ENDED CORDSETS WITH #22 AWG PVC CABLE WITH BRAID 6 FEET LONG				
STRAIGHT	3	702006D02F060	703006D02F060	704006D02F060	705006D02F060	706006D02F060
90°	4	702007D02F060	703007D02F060	704007D02F060	705007D02F060	706007D02F060
MATING RECEPTACLE*	6	7R2A00A19A120	7R3A00A19A120	7R4A00A19A120	7R5A00A19A120	7R6A00A19A120

CATALOG OPTIONS

*See Page 134 for additional Mating Receptacles

Use the following chart to modify your part's specifications



Specifications

CONNECTOR DIMENSIONS

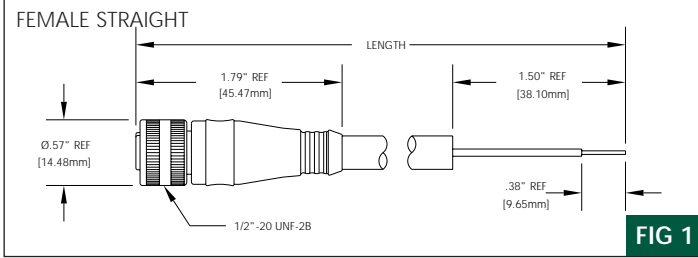


FIG 1

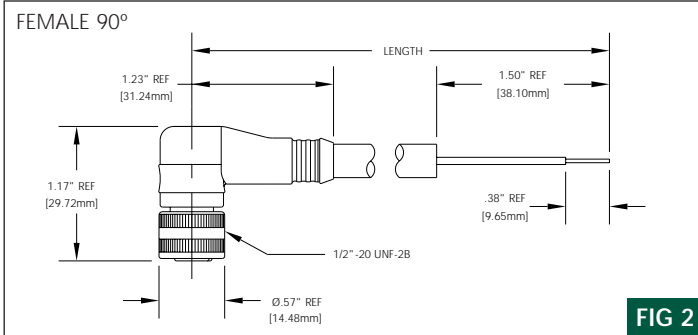


FIG 2

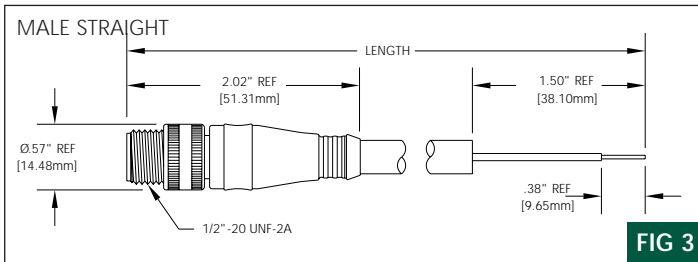
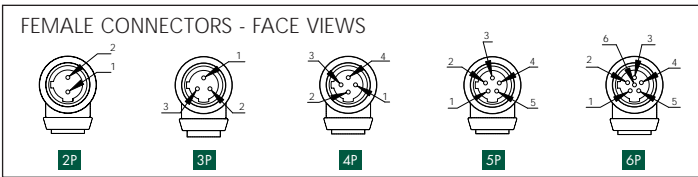


FIG 3

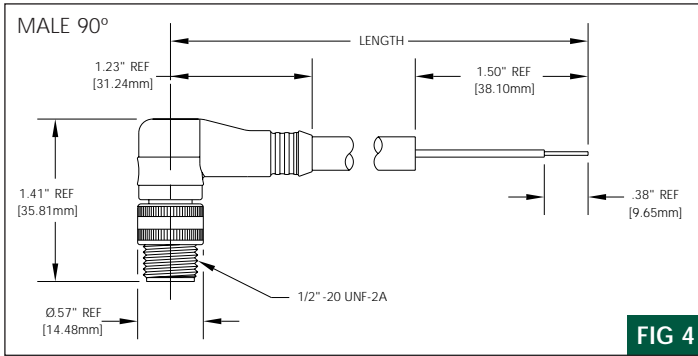
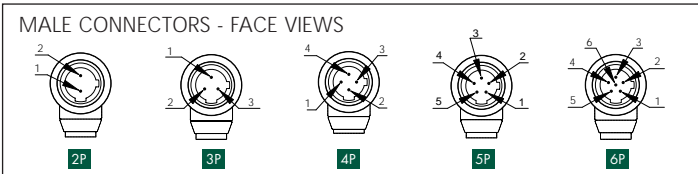


FIG 4



MECHANICAL
 CONNECTOR FACE: NYLON 6/6
 MOLDED BODY: PVC
 O-RING: NITRILE RUBBER
 COUPLING NUT: ZINC DIECAST W/ BLACK EPOXY COAT, OPTIONAL STAINLESS STEEL



CABLE: YELLOW #22 AWG PVC JACKET 70% METALLIC BRAID AND PVC CONDUCTOR INSULATION OVER 26 X #36 COPPER STRANDING, 300V, UL STYLE 2661, CSA AWM I/II A/B
 YELLOW #18 AWG PVC JACKET AND PVC CONDUCTOR INSULATION OVER 41 X #34 COPPER STRANDING, 300V, UL STYLE 2661, CSA AWM I/II A/B
 #22 AWG #18 AWG
WITH 70% BRAID WITHOUT BRAID
 2P - .23" (5.8mm) 2P - .29" (7.4mm)
 3P - .23" (5.8mm) 3P - .29" (7.4mm)
 4P - .25" (6.4mm) 4P - .29" (7.4mm)
 5P - .26" (6.6mm) 5P - .29" (7.4mm)
 6P - .29" (7.4mm)

ELECTRICAL
 VOLTAGE RATING: 250V AC/DC
 AMPERAGE: 2P - 4A
 3P - 4A
 4P - 4A
 5P - 4A
 6P - 4A

ENVIRONMENTAL
 PROTECTION: IP 68, NEMA 6P
 AMBIENT OPERATING TEMP: -4° TO 221° F (-20° TO 105° C)
CERTIFICATIONS
 UL: UL LISTED, FILE NO. E152210
 CSA: CSA CERTIFIED, FILE NO LR6837

RECEPTACLE DIMENSIONS

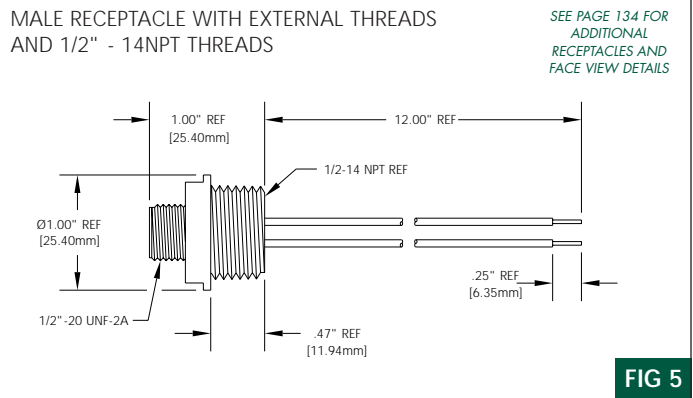


FIG 5

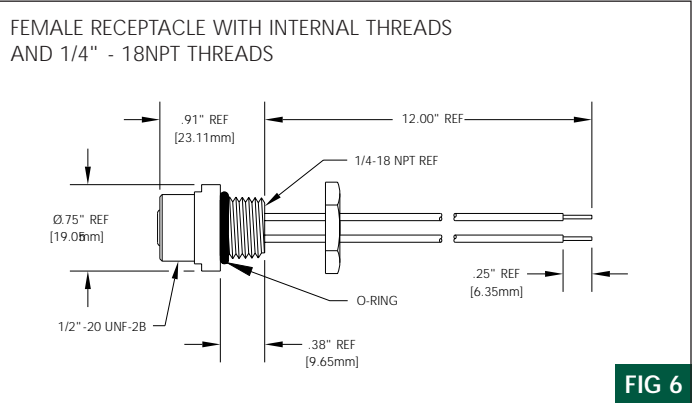


FIG 6



Double-Ended Cordsets

Dual Keyway 1/2" - 20 UNF

AUTOMOTIVE

#22 AWG yellow PVC cable with metallic braid – auto color code
 #18 AWG yellow PVC cable without metallic braid – auto color code
 Low-resistance contact design with gold/palladium nickel plating

	2P	3P	4P	5P	6P
FEMALE FACE VIEW					
COLOR CODE	1- brown 2- blue	1- green - gnd 2- red - black trace 3- red - white trace	1- red - black trace 2- red - white trace 3- red 4- green - gnd	1- red - white trace 2- red 3- green - gnd 4- red - yellow trace 5- red - black trace	1- red - white trace 2- red 3- green - gnd 4- red - yellow trace 5- red - black trace 6- red- blue trace
VOLTAGE	250V AC/DC	250V AC/DC	250V AC/DC	250V AC/DC	250V AC/DC
CURRENT	4A	4A	4A	4A	4A
CONDUCTOR	#22-2	#22-3	#22-4	#22-5	#22-6

FEMALE/MALE	FIG	DOUBLE - ENDED CORDSETS WITH #22 AWG PVC CABLE WITH BRAID 6 FEET LONG				
STRAIGHT/STRAIGHT	1	772030D02F060	773030D02F060	774030D02F060	775030D02F060	776030D02F060
90°/STRAIGHT	2	772031D02F060	773031D02F060	774031D02F060	775031D02F060	776031D02F060
STRAIGHT/90°	3	772032D02F060	773032D02F060	774032D02F060	775032D02F060	—
90°/90°	4	772033D02F060	773033D02F060	774033D02F060	775033D02F060	—

CATALOG OPTIONS

*See Page 134 for additional Mating Receptacles

Use the following chart to modify your part's specifications

772030D02F0601

CABLE TYPE

#18 AWG YELLOW
 PVC W/O BRAID 2P - 5P
 (#18 AWG NOT AVAILABLE
 ON 6 POLE)

A03

CABLE LENGTH

12' 120
 20' 200

120
 200

COUPLING NUT

STAINLESS STEELADD 1
 NON-METALLICADD 2

Specifications



MECHANICAL
 CONNECTOR FACE: PVC
 MOLDED BODY: NITRILE RUBBER
 O-RING: ZINC DIECAST W/ BLACK EPOXY COAT, OPTIONAL STAINLESS STEEL
 COUPLING NUT: DELRIN

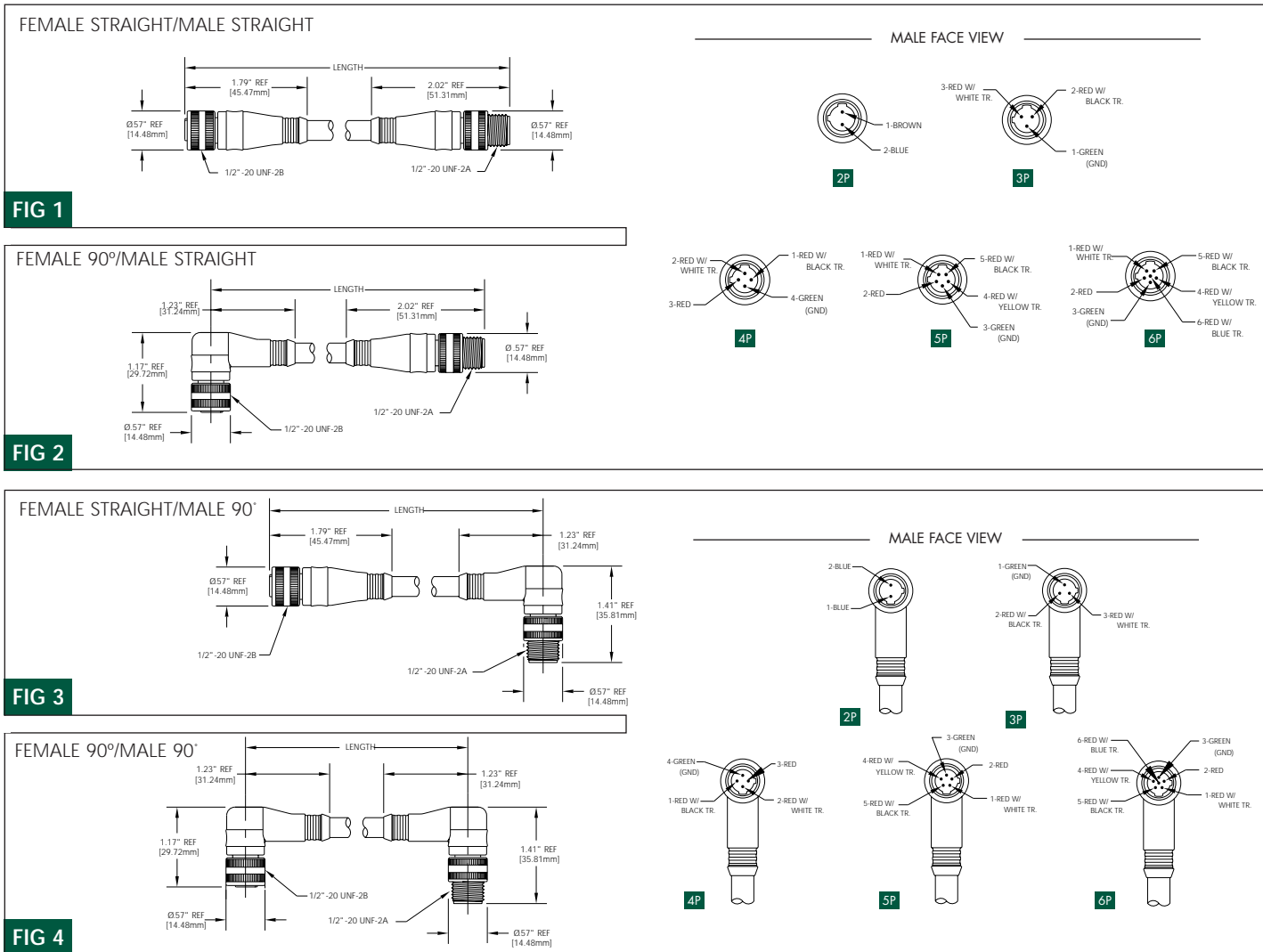
CABLE:
 YELLOW #22 AWG PVC JACKET 70% METALLIC BRAID AND PVC CONDUCTOR INSULATION OVER 26 X #36 COPPER STRANDING, 300V, UL STYLE 2661, CSA AWM I/II A/B
 YELLOW #18 AWG PVC JACKET AND PVC CONDUCTOR INSULATION OVER 41 X #34 COPPER STRANDING, 300V, UL STYLE 2661, CSA AWM I/II A/B

OUTSIDE DIAMETER:
 #22 AWG 18 AWG
 WITH 70% BRAID WITHOUT BRAID
 2P - .23" (5.8mm) 2P - .29" (7.4mm)
 3P - .23" (5.8mm) 3P - .29" (7.4mm)
 4P - .25" (6.4mm) 4P - .29" (7.4mm)
 5P - .26" (6.6mm) 5P - .29" (7.4mm)
 6P - .29" (7.4mm)

ELECTRICAL
 VOLTAGE RATING: 250V AC/DC
 AMPERAGE: 2P - 4A
 3P - 4A
 4P - 4A
 5P - 4A
 6P - 4A

ENVIRONMENTAL
 PROTECTION: IP 68, NEMA 6P
 AMBIENT OPERATING TEMP: -4° TO 221° F (-20° TO 105° C)
CERTIFICATIONS
 UL: UL LISTED, FILE NO. E152210
 CSA: CSA CERTIFIED, FILE NO LR6837

CONNECTOR DIMENSIONS



2P to 5P



Single-Ended Cordsets

Dual Keyway 1/2" - 20 UNF

AUTOMOTIVE

#18 AWG yellow PUR high-flex cable – auto color code
 Oil- and abrasion-resistant polyurethane jacket
 Low-resistance contact design with gold/palladium nickel plating

	2P	3P	4P	5P
FEMALE FACE VIEW				
COLOR CODE	1- brown 2- blue	1- green - gnd 2- red/black 3- red/white	1- red/black 2- red/white 3- red 4- green - gnd	1- red/white 2- red 3- green - gnd 4- red/yellow 5- red/black
VOLTAGE	250V AC/DC	250V AC/DC	250V AC/DC	250V AC/DC
CURRENT	4A	4A	4A	4A
CONDUCTOR	#18-2	#18-3	#18-4	#18-5

FEMALE	FIG	SINGLE-ENDED CORDSETS WITH #18 AWG HIGH FLEX PUR CABLE 6 FEET LONG			
STRAIGHT	1	702000B01F060	703000B01F060	704000B01F060	705000B01F060
90°	2	702001B01F060	703001B01F060	704001B01F060	705001B01F060
MATING RECEPTACLE*	5	7R2006A19A120	7R3006A19A120	7R4006A19A120	7R5006A19A120
MALE W/ EXTERNAL THREADS	FIG	SINGLE-ENDED CORDSETS WITH #18 AWG HIGH FLEX PUR CABLE 6 FEET LONG			
STRAIGHT	3	702006B01F060	703006B01F060	704006B01F060	705006B01F060
90°	4	702007B01F060	703007B01F060	704007B01F060	705007B01F060
MATING RECEPTACLE*	6	7R2A00A19A120	7R3A00A19A120	7R4A00A19A120	7R5A00A19A120

CATALOG OPTIONS

*See Page 134 for additional Mating Receptacles

Use the following chart to modify your part's specifications

702000B01F0601

CABLE LENGTH

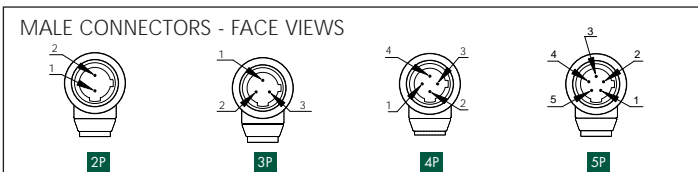
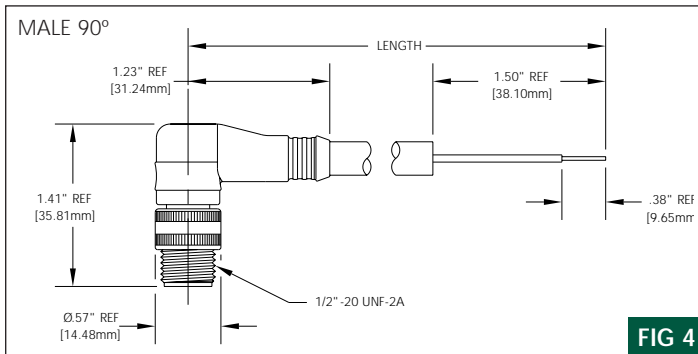
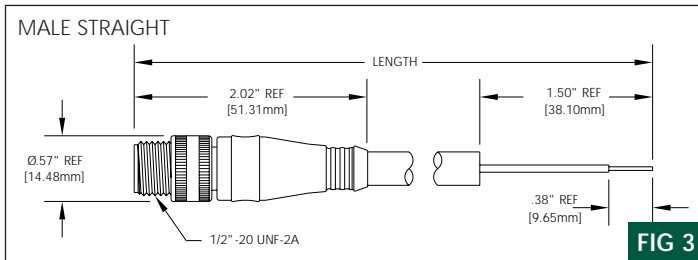
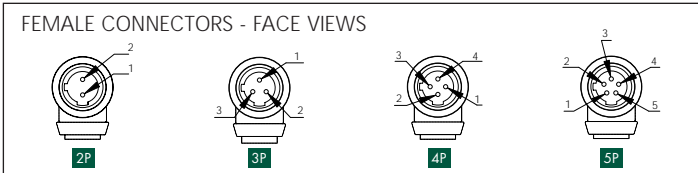
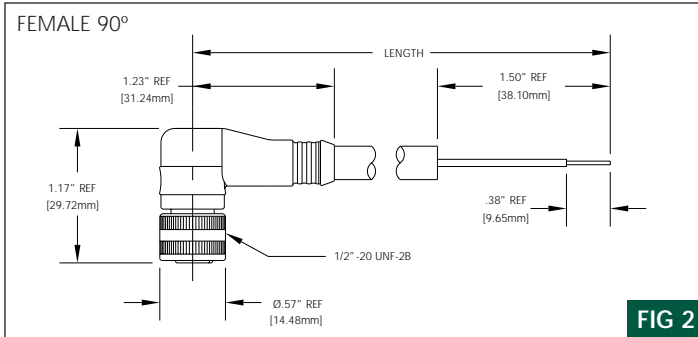
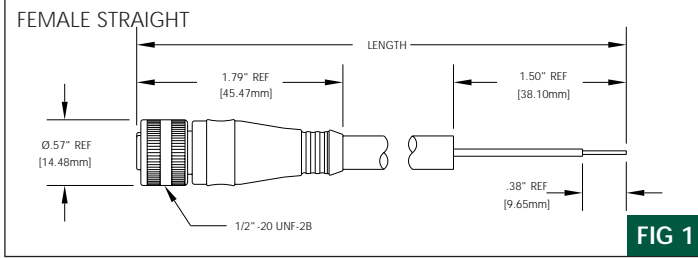
12'	120
20'	200

COUPLING NUT

STAINLESS STEELADD 1

Specifications

CONNECTOR DIMENSIONS



- MECHANICAL**
 CONNECTOR FACE: NYLON 6/6
 MOLDED BODY: POLYURETHANE
 O-RING: VITON
 COUPLING NUT: ZINC DIECAST W/ BLACK EPOXY COAT, OPTIONAL STAINLESS STEEL TYPE 303
- CABLE: YELLOW #18 AWG POLYURETHANE JACKET AND PVC CONDUCTOR INSULATION OVER 65 X #36 COPPER STRANDING, 300V, UL STYLE 20549, CSA AWM I/II A/B
- OUTSIDE DIAMETER:
 2P - .24" (6.1mm)
 3P - .27" (6.9mm)
 4P - .29" (7.4mm)
 5P - .32" (8.1mm)
- ELECTRICAL**
 VOLTAGE RATING: 250V AC/DC
 AMPERAGE:
 2P - 4A
 3P - 4A
 4P - 4A
 5P - 4A
- ENVIRONMENTAL**
 PROTECTION: IP 68, NEMA 6P
 AMBIENT OPERATING TEMP: -4° TO 176° F (-20° TO 80° C)
- CERTIFICATIONS**
 UL: UL LISTED, FILE NO. E152210
 CSA: CSA CERTIFIED, FILE NO LR6837

RECEPTACLE DIMENSIONS

MALE RECEPTACLE WITH EXTERNAL THREADS AND 1/2" - 14NPT THREADS

SEE PAGE 134 FOR ADDITIONAL RECEPTACLES AND FACE VIEW DETAILS

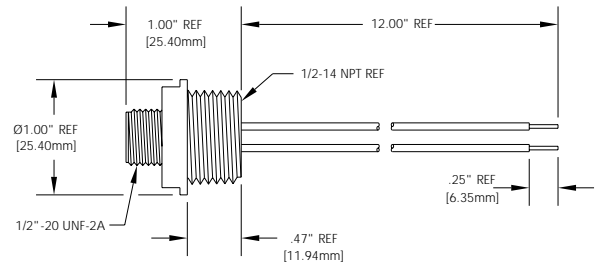


FIG 5

FEMALE RECEPTACLE WITH INTERNAL THREADS AND 1/4" - 18NPT THREADS

SEE PAGE 134 FOR ADDITIONAL RECEPTACLES AND FACE VIEW DETAILS

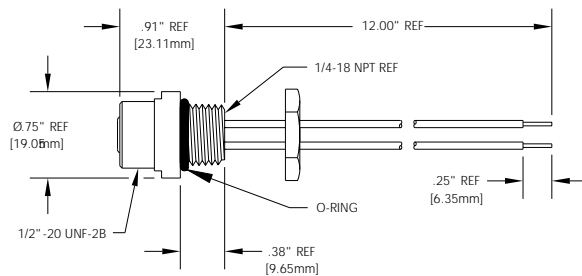


FIG 6



Double-Ended Cordsets

Dual Keyway 1/2" - 20 UNF

AUTOMOTIVE

#18 AWG yellow PUR high-flex cable – auto color code
 Oil- and abrasion-resistant polyurethane jacket
 Low-resistance contact design with gold/palladium nickel plating

	2P	3P	4P	5P
FEMALE FACE VIEW				
COLOR CODE	1- brown 2- blue	1- green - gnd 2- red /black 3- red/white	1- red /black 2- red /white 3- red 4- green - gnd	1- red /white 2- red 3- green - gnd 4- red/yellow 5- red/black
VOLTAGE	250V AC/DC	250V AC/DC	250V AC/DC	250V AC/DC
CURRENT	4A	4A	4A	4A
CONDUCTOR	#18-2	#18-3	#18-4	#18-5

FEMALE/MALE	FIG	DOUBLE - ENDED CORDSETS WITH #18 AWG HIGH FLEX PUR CABLE 6 FEET LONG			
STRAIGHT/ STRAIGHT	1	772030B01F060	773030B01F060	774030B01F060	775030B01F060
90°/STRAIGHT	2	772031B01F060	773031B01F060	774031B01F060	775031B01F060

CATALOG OPTIONS

*See Page 134 for additional Mating Receptacles

Use the following chart to modify your part's specifications

772030B01F0601

CABLE LENGTH

12'	120
20'	200

COUPLING NUT

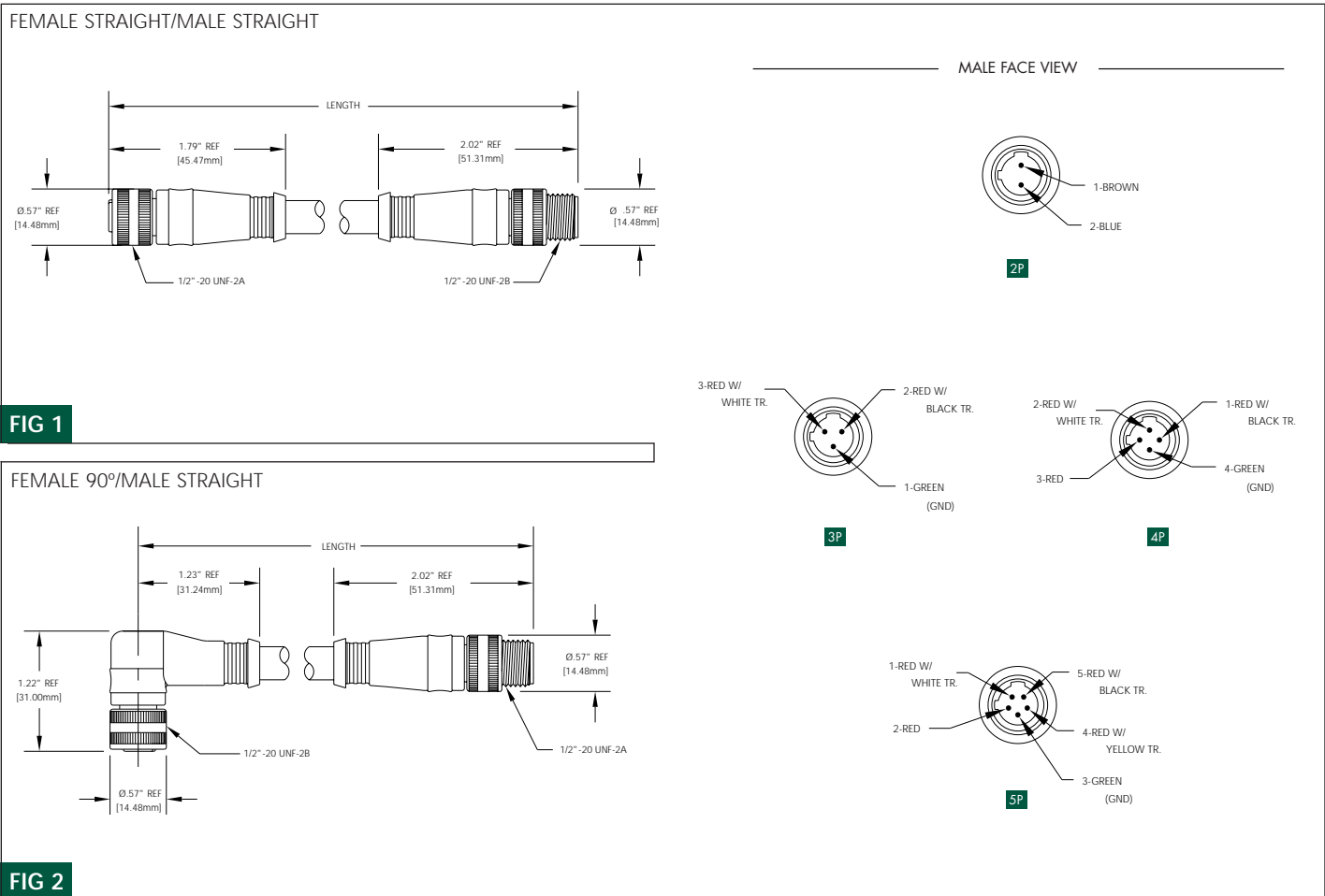
STAINLESS STEELADD 1

Specifications



MECHANICAL	
CONNECTOR FACE:	NYLON 6/6
MOLDED BODY:	POLYURETHANE
O-RING:	VITON
COUPLING NUT:	ZINC DIECAST W/ BLACK EPOXY COAT, OPTIONAL STAINLESS STEEL TYPE 303
CABLE:	YELLOW #18 AWG POLYURETHANE JACKET AND PVC CONDUCTOR INSULATION OVER 65 X #36 COPPER STRANDING, 300V, UL STYLE 20549, CSA AWM I/II A/B
OUTSIDE DIAMETER:	2P - .24" (6.1mm) 3P - .27" (6.9mm) 4P - .29" (7.4mm) 5P - .32" (8.1mm)
ELECTRICAL	
VOLTAGE RATING:	250V AC/DC
AMPERAGE:	2P - 4A 3P - 4A 4P - 4A 5P - 4A
ENVIRONMENTAL	
PROTECTION:	IP 68, NEMA 6P
AMBIENT OPERATING TEMP:	-4° TO 176° F (-20° TO 80° C)
CERTIFICATIONS	
UL:	UL LISTED, FILE NO. E152210
CSA:	CSA CERTIFIED, FILE NO LR6837

CABLE DIMENSIONS

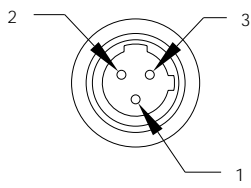
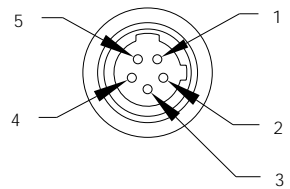




Single & Double-Ended Cordsets Dual Keyway 1/2" - 20 UNF

AUTOMOTIVE

#18 AWG yellow thermoplastic elastomer (TPE) cable – auto color code
 Oil-, chemical- and weld slag-resistant TPE jacket "universal" cable
 Low-resistance contact design with gold/palladium nickel plating

NEW	3P	5P
FEMALE FACE VIEW		
COLOR CODE	1- green - gnd 2- red - black trace 3- red - white trace	1- red - white trace 4- red - yellow trace 2- red 5- red - black trace 3- green - gnd
VOLTAGE	250V AC/DC	250V AC/DC
CURRENT	4A	4A
CONDUCTOR	#18-3	#18-5

FEMALE	FIG	SINGLE-ENDED CORDSETS WITH #18 AWG TPE CABLE 6 FEET LONG	
STRAIGHT	1	703000K02F060	705000K02F060
90°	2	703001K02F060	705001K02F060
MATING RECEPTACLE*	4	7R3006A19A120	7R5006A19A120
FEMALE/MALE	FIG	DOUBLE-ENDED CORDSETS WITH #18 AWG TPE CABLE 6 FEET LONG	
STRAIGHT/STRAIGHT	3	773030K02F060	775030K02F060

CATALOG OPTIONS

*See Page 134 for additional Mating Receptacles

Use the following chart to modify your part's specifications

703000K02F0601

CABLE LENGTH

12'	120
20'	200

COUPLING NUT

STAINLESS STEELADD 1

Specifications



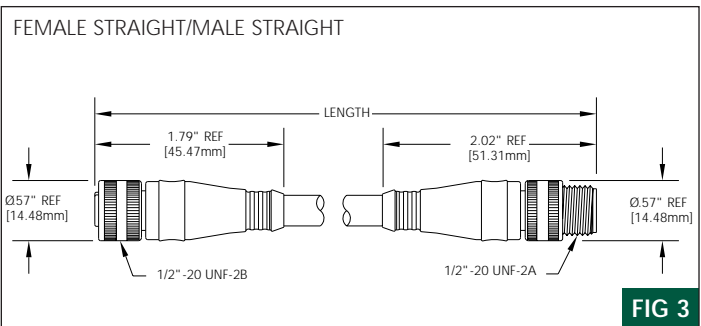
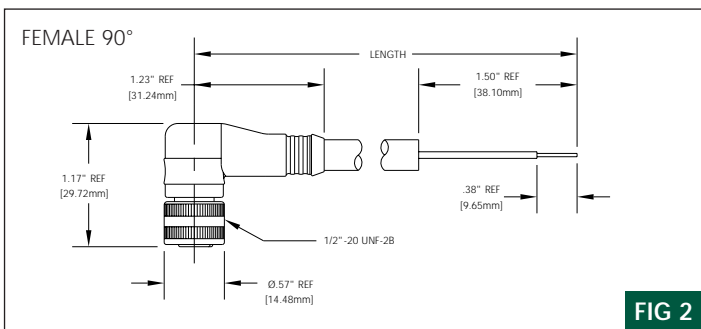
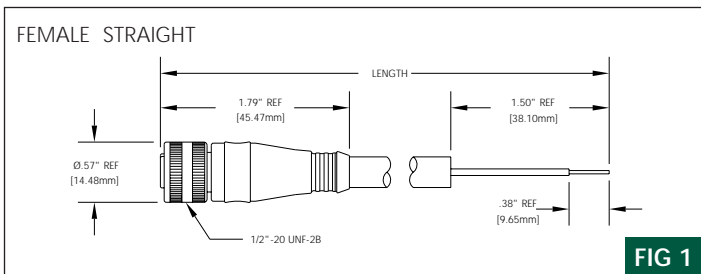
MECHANICAL
 CONNECTOR FACE: NYLON 6/6
 MOLDED BODY: PVC
 O-RING: NITRILE RUBBER
 COUPLING NUT: ZINC DIECAST W/ BLACK EPOXY COAT, OPTIONAL STAINLESS STEEL TYPE 303
 CABLE: YELLOW #18 AWG THERMOPLASTIC ELASTOMER (TPE) JACKET AND PVC CONDUCTOR INSULATION OVER 41 X #34 COPPER STRANDING, 300V, UL STYLE 20327, CSA AWM I/II A/B
 OUTSIDE DIAMETER:
 3P - .26" (6.6mm)
 5P - .30" (7.6mm)

ELECTRICAL
 VOLTAGE RATING: 250V AC/DC
 AMPERAGE: 3P - 4A
 5P - 4A

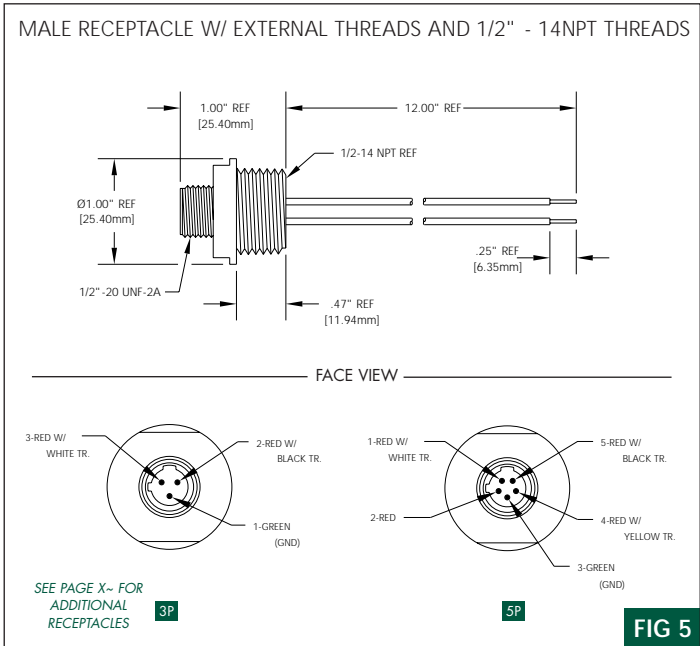
ENVIRONMENTAL
 PROTECTION: IP 68, NEMA 6P
 AMBIENT OPERATING TEMP: -4° TO 221° F (-20° TO 105° C)

CERTIFICATIONS
 UL: UL LISTED, FILE NO. E152210
 CSA: CSA CERTIFIED, FILE NO LR6837

CONNECTOR DIMENSIONS



RECEPTACLE DIMENSIONS



CHEMICAL & OIL RESISTANCE CHART - TPE CABLE

ACIDS & BASES	PERFORMANCE	OILS & FUELS	PERFORMANCE
SULFURIC ACID 30%	EXCELLENT	ASTM OIL 1, 2 OR 3	EXCELLENT
NITRIC ACID 10%	EXCELLENT	TRIMSOL	EXCELLENT
SODIUM HYDROXIDE 10%	EXCELLENT	SIMEOL	EXCELLENT
AMMONIUM HYDROXIDE 10%	EXCELLENT	MOBIL OIL DTE 24 OR 26	EXCELLENT
HYDROCHLORIC ACID 20%	EXCELLENT	KEROSENE	EXCELLENT
GLACIAL ACIDIC ACID	GOOD	TRANSFORMER OIL	GOOD