

3P



# Single & Double-Ended Cordsets

## Single Keyway M12

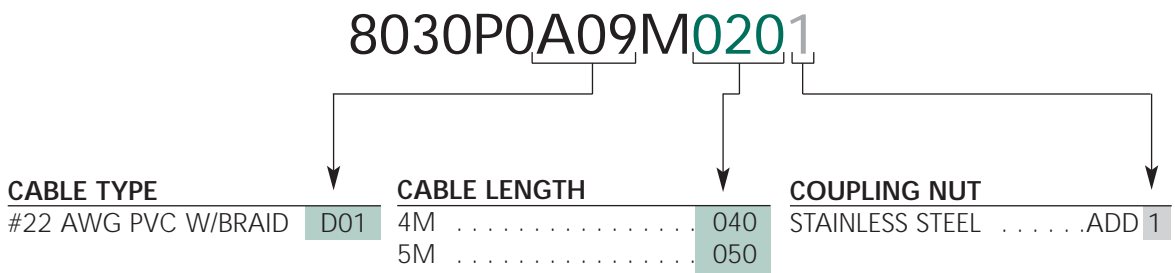
#22 AWG yellow PVC cable with or without braid - DC color code  
 Green LED for power indication yellow LED for output indication  
 Clear PVC body - for use with PNP or NPN type sensor

	3P PNP	3P NPN
FEMALE FACE VIEW		
COLOR CODE	1- brown 2- not used 3- blue 4- black 5- not used	1- brown 2- not used 3- blue 4- black 5- not used
LED CIRCUIT DIAGRAM		
VOLTAGE	10 TO 30V DC	
CURRENT	4A	
CURRENT	#22-3	

FEMALE	FIG	SINGLE-ENDED CORDSETS WITH #22 AWG PVC CABLE WITHOUT BRAID 2 METERS LONG	
STRAIGHT LED	1	8030P0A09M020	8030N0A09M020
90° LED	2	8030P1A09M020	8030N1A09M020
FEMALE/MALE	FIG	DOUBLE-ENDED CORDSETS WITH #22 AWG PVC CABLE WITHOUT BRAID 2 METERS LONG	
90° LED/STRAIGHT	3	8830P7A09M020	8830N7A09M020
90° LED/90°	4	8830P9A09M020	8830N9A09M020

### CATALOG OPTIONS

Use the following chart to modify your part's specifications



# Specifications



**MECHANICAL**  
 CONNECTOR FACE: NYLON 6/6  
 MOLDED BODY: PVC  
 O-RING: NITRILE RUBBER  
 COUPLING NUT: ZINC DIECAST W/ BLACK EPOXY COAT, OPTIONAL STAINLESS STEEL TYPE 303

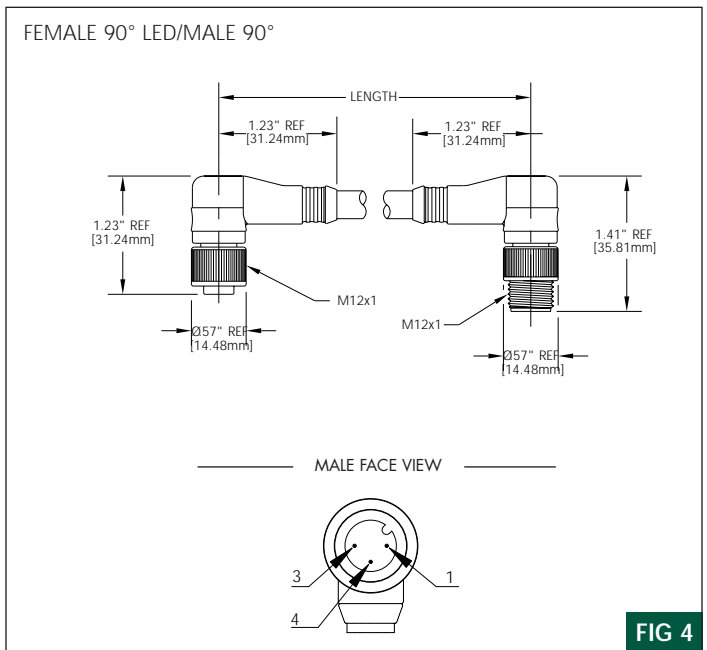
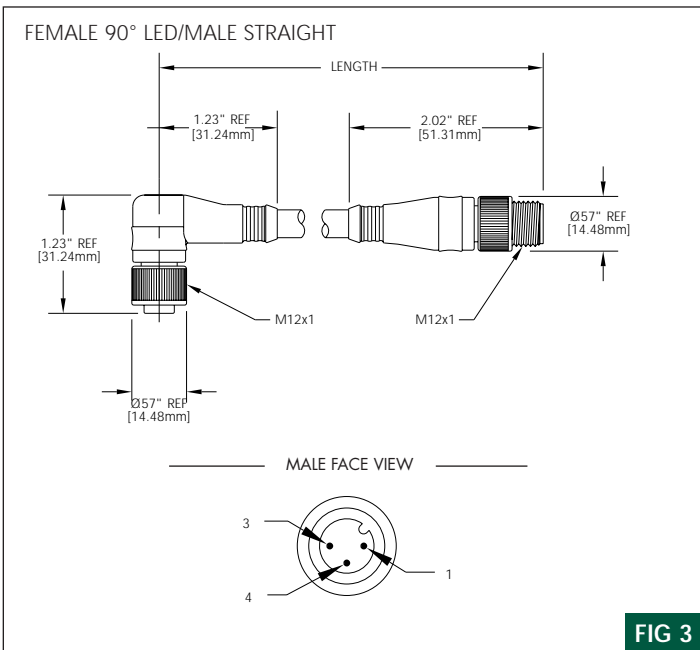
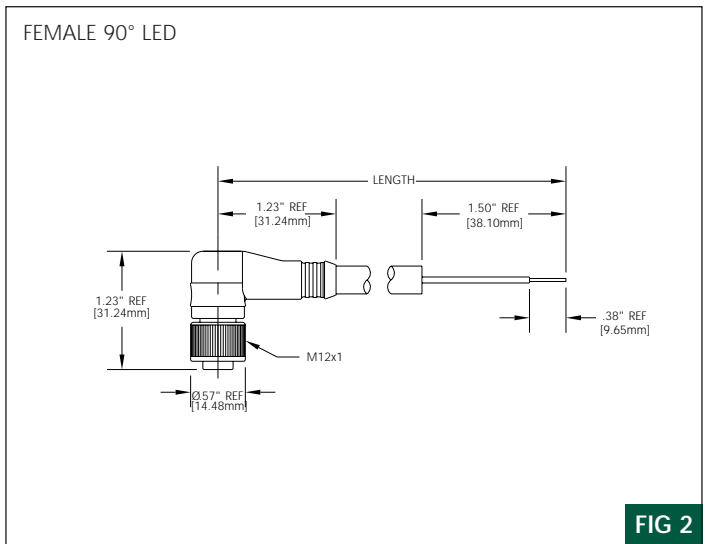
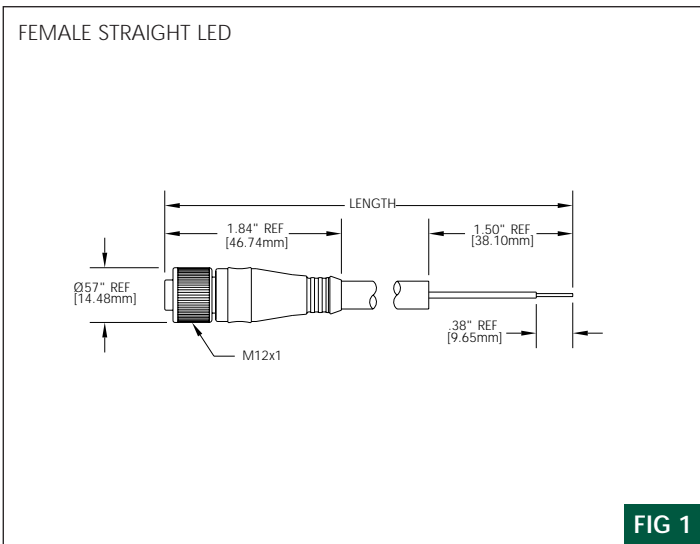
CABLE: YELLOW 22 AWG PVC JACKET AND PVC CONDUCTOR INSULATION OVER 26 X #36 COPPER STRANDING, 300V, UL STYLE 2661, CSA AWM I/II A/B, OPTIONAL 80% METALLIC BRAID

OUTSIDE DIAMETER: WITHOUT BRAID WITH BRAID  
 3P - .18" (4.6mm) 3P - .23" (5.8mm)

**ELECTRICAL**  
 VOLTAGE RATING: 10 - 30 V DC  
 AMPERAGE: 3P - 4A  
 ENVIRONMENTAL PROTECTION: IP 68, NEMA 6P  
 AMBIENT OPERATING TEMP: -4° TO 221° F (-20° TO 105° C)

**CERTIFICATIONS**  
 UL: UL LISTED, FILE NO. E152210  
 CSA: CSA CERTIFIED, FILE NO LR6837

## CONNECTOR DIMENSIONS



4P



# Single & Double-Ended Cordsets

## Single Keyway M12

#18 AWG yellow thermoplastic elastomer (TPE) cable - DC color code  
 Oil-, chemical-, and weld slag-resistant TPE jacket continuous-flex rated cable design  
 Low-resistance contact design with gold/palladium nickel plating

<b>NEW</b>	<b>4P</b>
FEMALE FACE VIEW	
COLOR CODE	1- brown                      4- black 2- white                     5- not used 3- blue
VOLTAGE	250V AC/DC
CURRENT	4A
CONDUCTOR	#18-4

FEMALE	FIG	<b>SINGLE-ENDED CORDSETS WITH #18 AWG TPE CABLE 2 METERS LONG</b>
STRAIGHT	1	804000K03M020
90°	2	804001K03M020
MATING RECEPTACLE*	4	8R4006A16A120
FEMALE/ MALE	FIG	<b>DOUBLE-ENDED CORDSETS WITH #18 AWG TPE CABLE 2 METERS LONG</b>
STRAIGHT/ STRAIGHT	3	884030K03M020

### CATALOG OPTIONS

\*See Page 116 for additional Mating Receptacles

Use the following chart to modify your part's specifications

**804000K03M0201**

**CABLE LENGTH**

4 METER	040
5 METER	050

**COUPLING NUT**

STAINLESS STEEL*	ADD 1
NON-METALLIC	ADD 2
(NON-METALLIC AVAILABLE ON FEMALE CONNECTORS ONLY)	

# Specifications



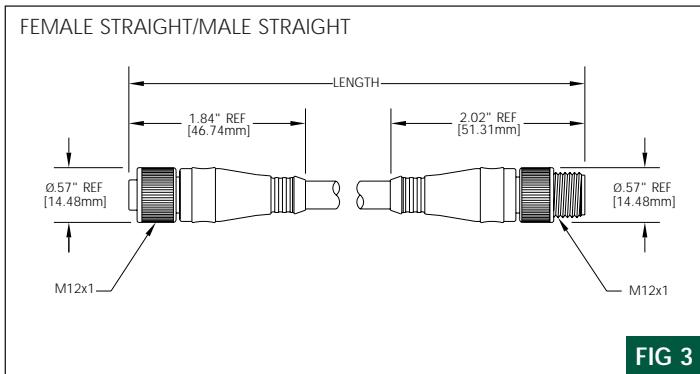
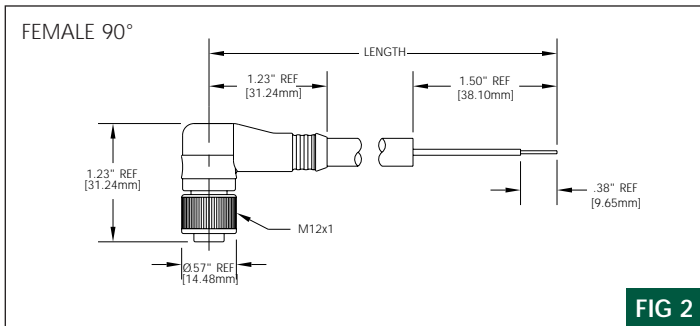
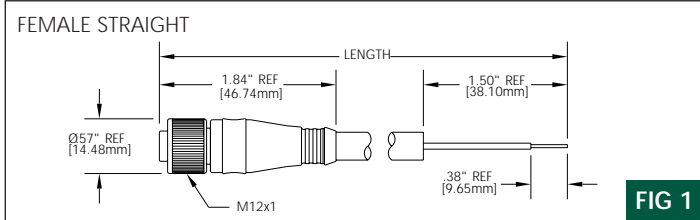
**MECHANICAL**  
 CONNECTOR FACE: NYLON 6/6  
 MOLDED BODY: PVC  
 O-RING: NITRILE RUBBER  
 COUPLING NUT: ZINC DIECAST W/ BLACK EPOXY  
 COAT, OPTIONAL STAINLESS STEEL TYPE  
 CABLE: YELLOW #18 AWG THERMOPLASTIC ELASTOMER (TPE) JACKET AND PVC CONDUCTOR INSULATION OVER 41 X #34 COPPER STRANDING, 300V, UL STYLE 20327, CSA AWM I/II A/B 4P - .28" (7.1mm)

**ELECTRICAL**  
 OUTSIDE DIAMETER: 250 V AC/DC  
 VOLTAGE RATING: 4P - 4A  
 AMPERAGE:

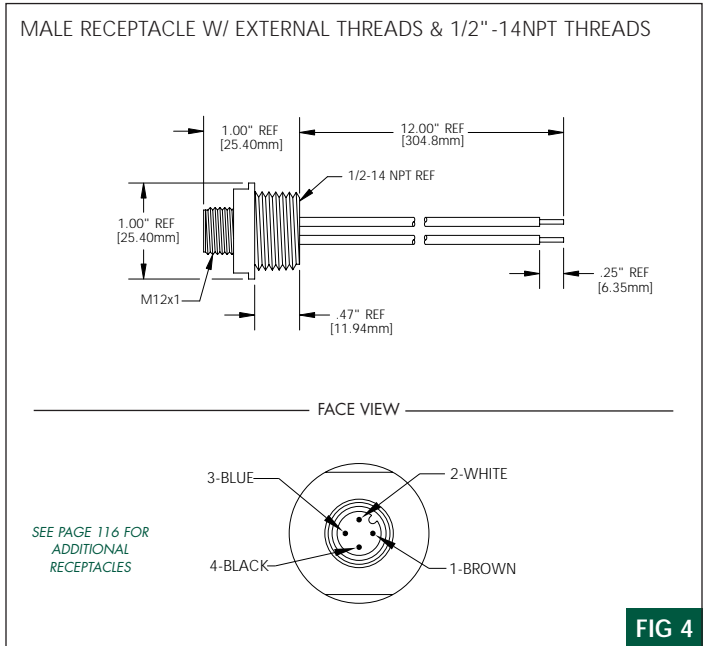
**ENVIRONMENTAL**  
 PROTECTION: IP 68, NEMA 6P  
 AMBIENT OPERATING TEMP: -4° TO 221° F (-20° TO 105° C)

**CERTIFICATIONS**  
 UL: UL LISTED, FILE NO. E152210  
 CSA: CSA CERTIFIED, FILE NO LR6837

## CONNECTOR DIMENSIONS



## RECEPTACLE DIMENSIONS



## CHEMICAL & OIL RESISTANCE CHART - TPE CABLE

ACIDS & BASES	PERFORMANCE	OILS & FUELS	PERFORMANCE
SULFURIC ACID 30%	EXCELLENT	ASTM OIL 1, 2, OR 3	EXCELLENT
NITRIC ACID 10%	EXCELLENT	TRIMSOL	EXCELLENT
SODIUM HYDROXIDE 10%	EXCELLENT	SIMEOL	EXCELLENT
AMMONIUM HYDROXIDE 10%	EXCELLENT	MOBIL OIL DTE 24 OR 26	EXCELLENT
HYDROCHLORIC ACID 20%	EXCELLENT	KEROSENE	EXCELLENT
GLACIAL ACIDIC ACID	GOOD	TRANSFORMER OIL	GOOD

4P



# Single-Ended Coil Cordsets

## Single Keyway M12

#18 AWG or #22 AWG yellow PUR cable - DC color code  
 Oil- and abrasion-resistant polyurethane jacket  
 Low-resistance contact design with gold/palladium nickel plating

<b>NEW</b>	<b>4P</b>
FEMALE FACE VIEW	
COLOR CODE	1- brown 2- white 3- blue 4- black 5- not used
VOLTAGE	250V AC/DC
CURRENT	4A
CONDUCTOR	#22-4

FEMALE	FIG	SINGLE-ENDED CORDSETS WITH #22 AWG PUR CABLE - COIL CORD	
		1.5 FEET RETRACTED/4.5 FEET EXTENDED	4 FEET RETRACTED/12 FEET EXTENDED
STRAIGHT	1	804000B11F045	804000B11F120
90°	2	804001B11F045	804001B11F120
MATING RECEPTACLE*	4	8R4006A18A120	
MALE	FIG	SINGLE - ENDED CORDSETS WITH #22 AWG PUR CABLE - COIL CORD	
		1.5 FEET RETRACTED/4.5 FEET EXTENDED	4 FEET RETRACTED/12 FEET EXTENDED
STRAIGHT	3	804006B11F045	804006B11F120
MATING RECEPTACLE*	5	8R4A00A18A120	

### CATALOG OPTIONS

\*See Page 116 for additional Mating Receptacles

Use the following chart to modify your part's specifications

# 804000**B11**F045

**CABLE TYPE**

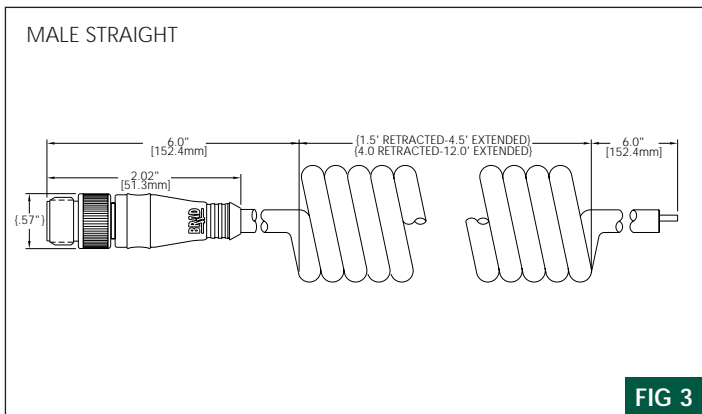
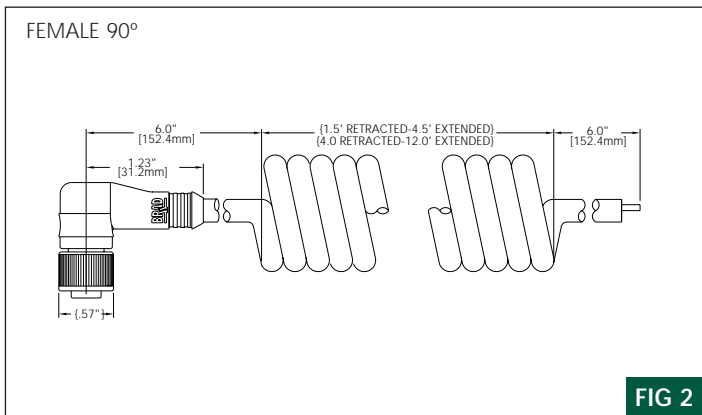
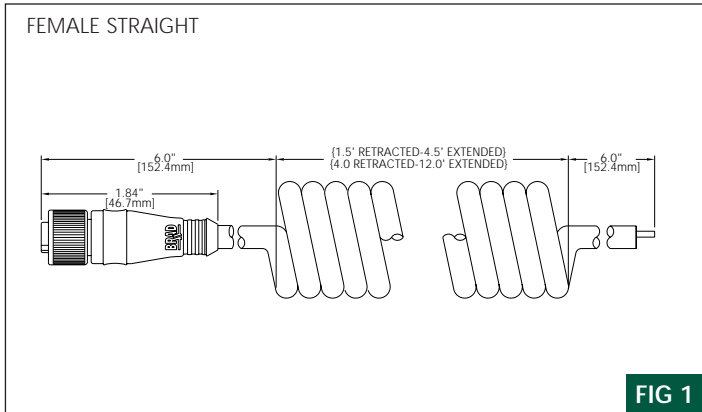
18 AWG YELLOW PUR . . . **B12**

# Specifications

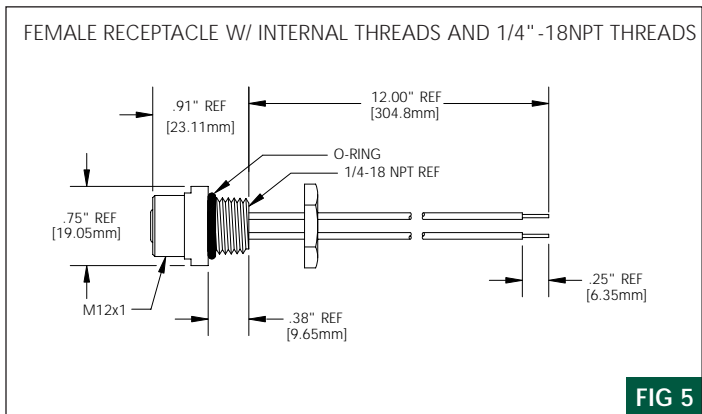
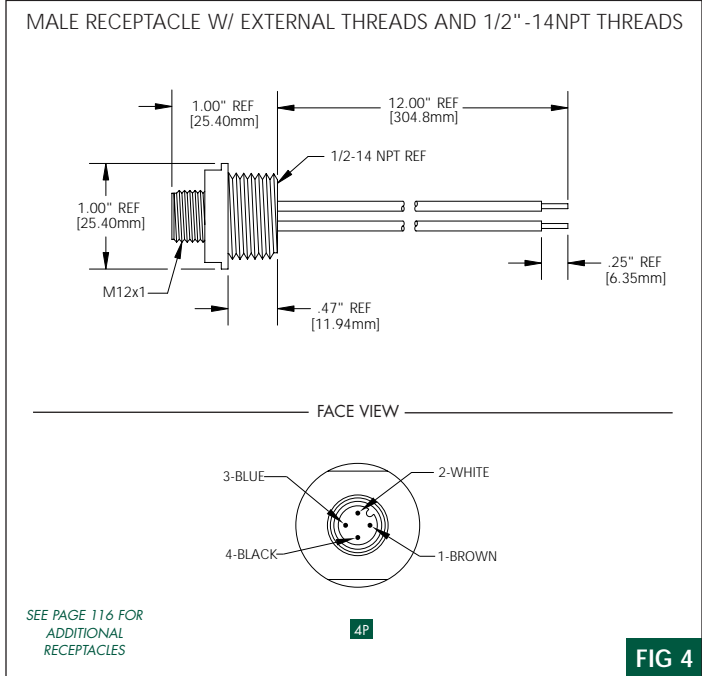


- MECHANICAL**  
 CONNECTOR FACE: NYLON 6/6  
 MOLDED BODY: PVC  
 O-RING: NITRILE RUBBER  
 COUPLING NUT: ZINC DIECAST W/BLACK EPOXY COAT  
 CABLE: YELLOW #22 AWG  
 POLYURETHANE JACKET AND  
 POLYPROPYLENE CONDUCTOR  
 INSULATION OVER 26 X #36 COPPER  
 STRANDING, 300V, UL STYLE 20197,  
 CSA AWM I/II A/B  
 OUTSIDE DIAMETER: 4P - .20" (5.1mm)  
 4P - .27" (6.8mm)
- ELECTRICAL**  
 VOLTAGE RATING: 250V AC/DC  
 AMPERAGE: 4P - 4A
- ENVIRONMENTAL**  
 PROTECTION: IP 68, NEMA 6P  
 AMBIENT OPERATING TEMP: -4° TO 176° F (-20° TO 80° C)
- CERTIFICATIONS**  
 UL: UL LISTED, FILE NO. E152210  
 CSA: CSA CERTIFIED, FILE NO LR6837

## CONNECTOR DIMENSIONS



## RECEPTACLE DIMENSIONS





# Single-Ended Cordsets

## Single Keyway M12

#24 AWG black PUR cable  
 Oil- and abrasion-resistant polyurethane jacket  
 High-density pin count in standard M12 quick-disconnect

<b>NEW</b>	<b>8P</b>									
FACE VIEW	FEMALE	MALE								
COLOR CODE	<table style="width: 100%; border: none;"> <tr> <td style="width: 50%;">1- white</td> <td style="width: 50%;">5- gray</td> </tr> <tr> <td>2- brown</td> <td>6- pink</td> </tr> <tr> <td>3- green</td> <td>7- blue</td> </tr> <tr> <td>4- yellow</td> <td>8- red</td> </tr> </table>		1- white	5- gray	2- brown	6- pink	3- green	7- blue	4- yellow	8- red
1- white	5- gray									
2- brown	6- pink									
3- green	7- blue									
4- yellow	8- red									
VOLTAGE	30V AC / 36V DC									
CURRENT	4A									
CONDUCTOR	#24-8									

FEMALE	FIG	SINGLE-ENDED CORDSETS WITH #24 AWG PUR CABLE 2 METERS
STRAIGHT	1	808000P02M020
90°	2	808001P02M020
MATING RECEPTACLE	4	8R8J36E03C3003
MALE	FIG	SINGLE-ENDED CORDSETS WITH #24 AWG PUR CABLE 2 METERS
STRAIGHT	3	808006P02M020
MATING RECEPTACLE	5	8R8J30E03C3003

**CATALOG OPTIONS**

Use the following chart to modify your part's specifications

808000P02M020

**CABLE LENGTH**

4 METER .....	040
5 METER .....	050

# Specifications

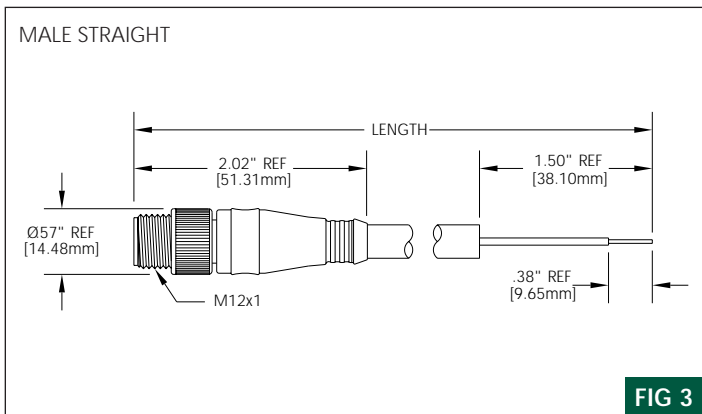
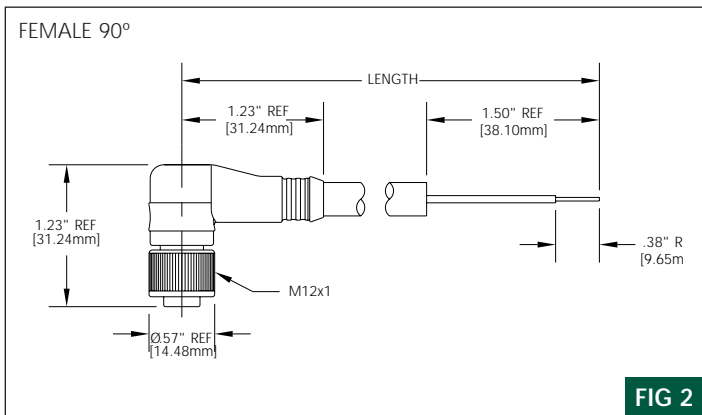
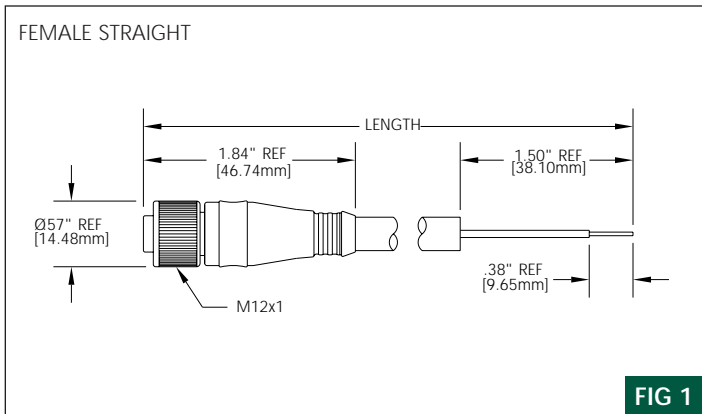


**MECHANICAL**  
 CONNECTOR FACE: POLYAMIDE (NYLON)  
 MOLDED BODY: PVC  
 O-RING: VITON  
 COUPLING NUT: ZINC DIECAST W/ BLACK EPOXY COAT  
 CABLE: BLACK #24 AWG POLYURETHANE JACKET AND PVC CONDUCTOR INSULATION, 300V

**ELECTRICAL**  
 OUTSIDE DIAMETER: 8P - .29" (7.4mm)  
 VOLTAGE RATING: 30V AC; 36V DC  
 AMPERAGE: 8P - 4A

**ENVIRONMENTAL**  
 PROTECTION: IP 68, NEMA 6P  
 AMBIENT OPERATING TEMP: -4° TO 185° F (-20° TO 85°C)

## CONNECTOR DIMENSIONS



## RECEPTACLE DIMENSIONS

